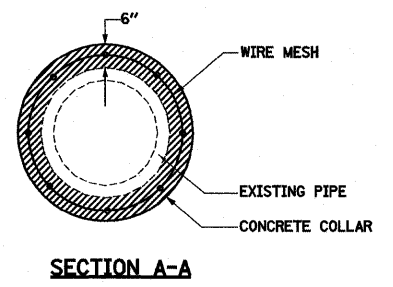
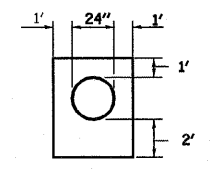


CONCRETE COLLAR DETAIL OPTION
NOT TO SCALE

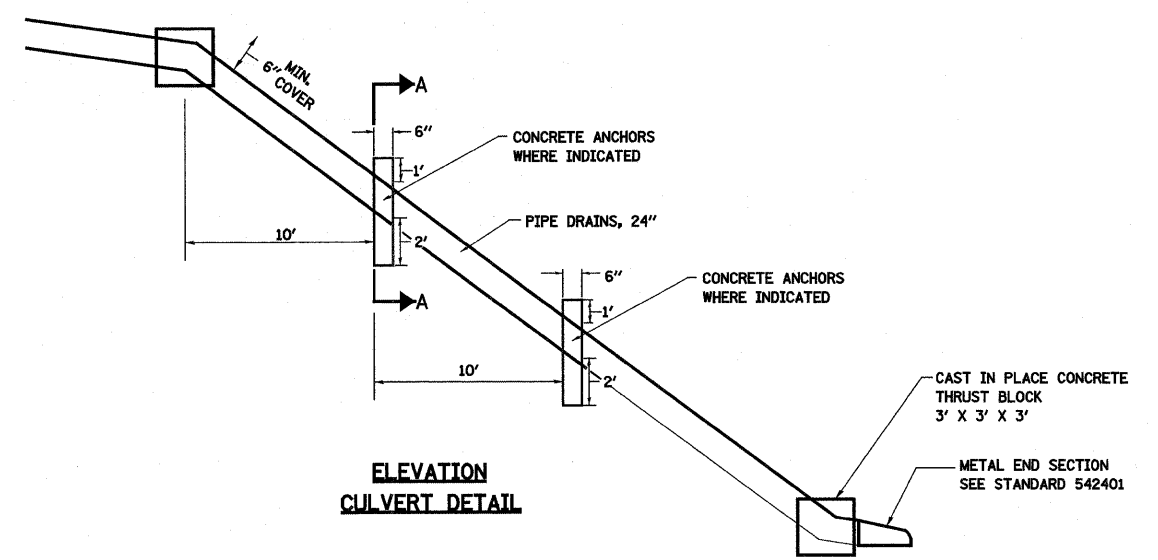


SECTION A-A

NOTE:
CLASS SI CONCRETE SHALL BE USED.



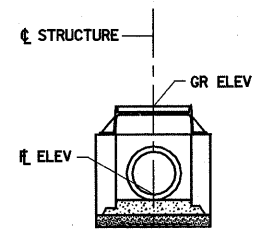
**SECTION A-A
CONCRETE ANCHOR**



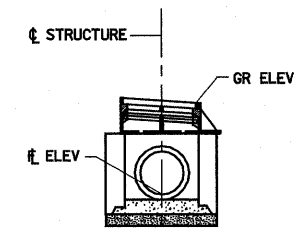
**ELEVATION
CULVERT DETAIL**

CAST IN PLACE CONCRETE
THRUST BLOCK
3' X 3' X 3'

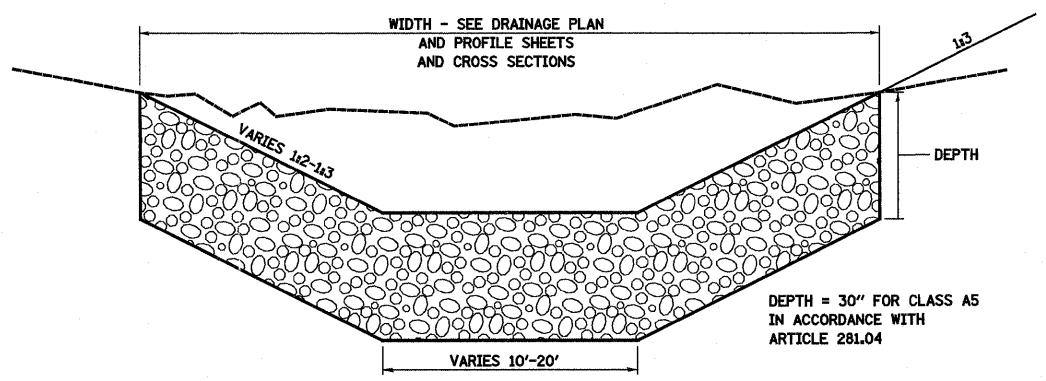
METAL END SECTION
SEE STANDARD 542401



INLET TYPE A W/ TYPE 1 F&L, SPECIAL

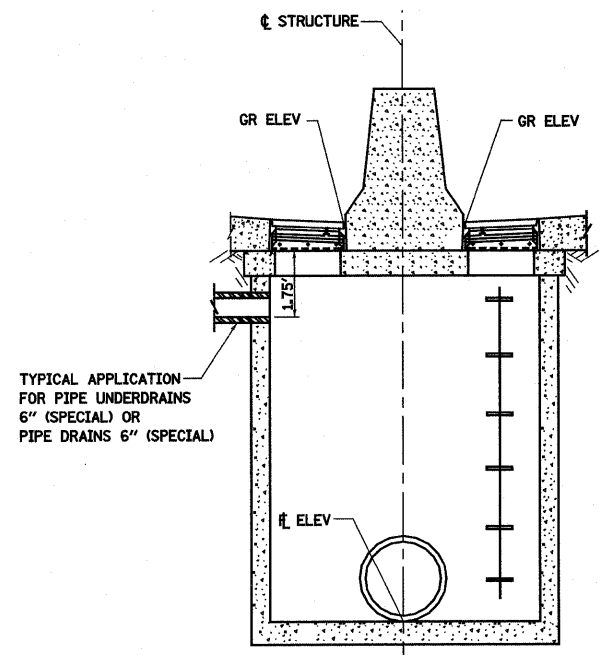


INLET TYPE A W/ TYPE 24 F&G



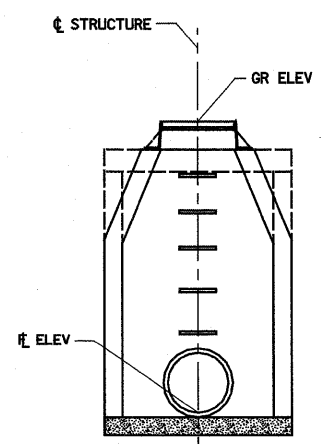
RIPRAP TYPICAL APPLICATION - CLASS A5

NOTE:
• THRUST BLOCKS WILL BE USED @ BENDS IN PIPE
•• SLOPES & DISTANCES ARE SKEWED
••• CLASS SI CONCRETE SHALL BE UTILIZED FOR CONCRETE HEADWALL

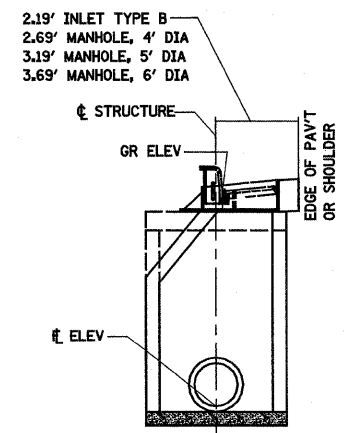


**DRAINAGE STRUCTURE TYPE 5
W/ TWO TYPE 22 F&G**

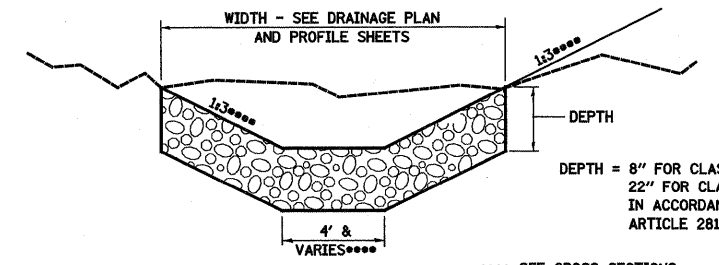
TYPICAL APPLICATION
FOR PIPE UNDERDRAINS
6" (SPECIAL) OR
PIPE DRAINS 6" (SPECIAL)



MANHOLES W/ TYPE 1 F&L



**INLET TYPE B AND MANHOLES
W/ TYPE 3 F&G**



RIPRAP TYPICAL APPLICATION - CLASS A3 & A4

•••• SEE CROSS SECTIONS

FILE NAME =	USER NAME = betaj	DESIGNED - JWS	REVISED -	STATE OF ILLINOIS DEPARTMENT OF TRANSPORTATION	MISCELLANEOUS DETAILS, FAI ROUTE 57/70		F.A.I RTE.	SECTION	COUNTY	TOTAL SHEETS	SHEET NO.
S:\Projects\403-00072.57-70\dgn\ML_Keller\Mso Detail.dgn		DRAWN - PDB	REVISED -				57/70	(25-3,4)R	EFFINGHAM	1098	352
PLOT SCALE = 5.0000' / IN.		CHECKED - BRM	REVISED -				CONTRACT NO. 74299				
PLOT DATE = 3/18/2011		DATE - 4-16-09	REVISED -				FED. ROAD DIST. NO. ILLINOIS FED. AID PROJECT				
				SCALE: 1"=2.5'		SHEET NO. 4 OF 4 SHEETS		STA. TO STA.			