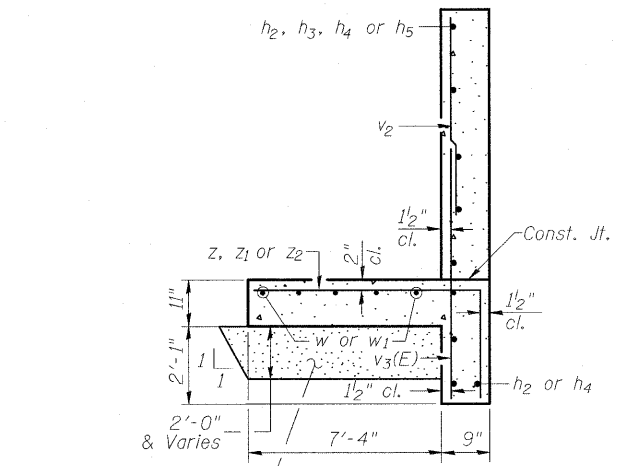
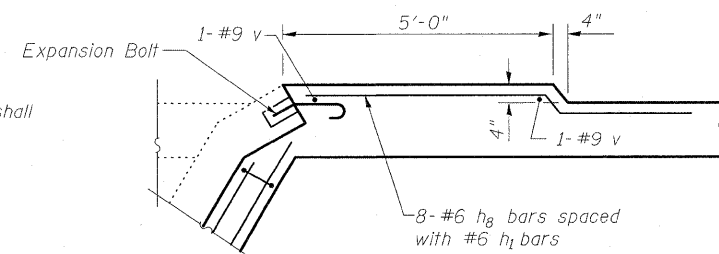


BILL OF MATERIAL

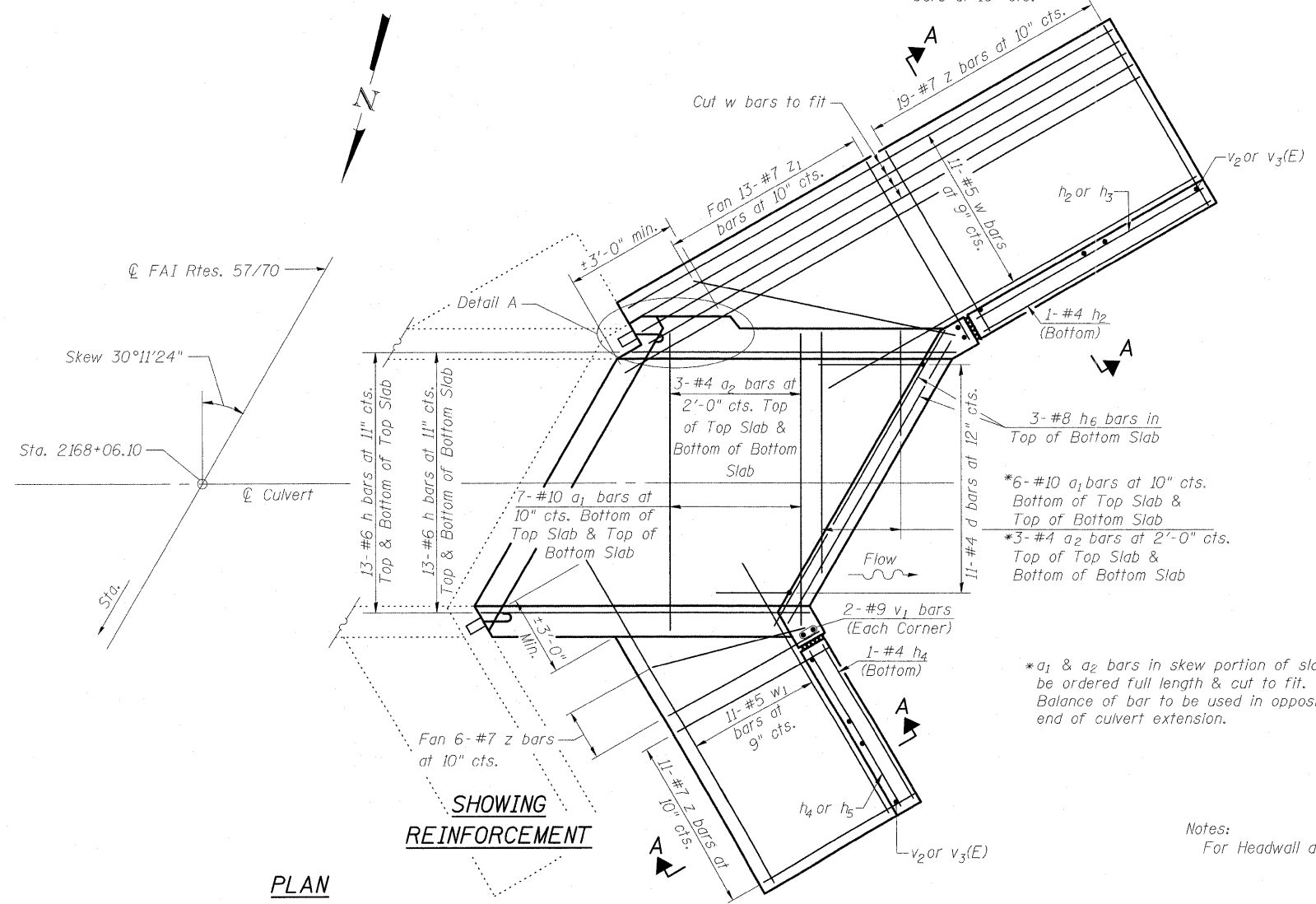
Bar	No.	Size	Length	Shape
a1	26	#10	13'-8"	
a2	12	#4	10'-10"	
d	11	#4	4'-6"	
h	52	#6	11'-8"	
h1	16	#6	11'-6"	
h2	10	#4	15'-2"	
h3	4	#4	15'-9"	
h4	10	#4	8'-8"	
h5	4	#4	9'-7"	
h6	10	#8	12'-5"	
h7	12	#8	13'-1"	
h8	8	#6	7'-2"	
s	24	#4	5'-7"	
s1	12	#4	5'-9"	
v	40	#9	9'-1"	
v1	4	#9	11'-7"	
v2	16	#5	12'-7"	
v3(E)	32	#6	6'-4"	
w	11	#5	27'-0"	
w1	11	#5	16'-7"	
z	30	#7	10'-6"	
z1	13	#7	15'-4"	
z2	6	#7	11'-6"	
Concrete Box Culverts	Cu. Yd.		34.3	
Reinforcement Bars, Epoxy Coated	Pound		310	
Reinforcement Bars	Pound		7340	
3/4" Expansion Bolts	Each		26	
Concrete Removal	Cu. Yd.		7.3	
Removal & Disposal of Unsuitable Material	Cu. Yd.		33	
Rockfill-Replacement	Ton		69	



Removal & Disposal of Unsuitable Material and Rockfill-Replacement
SECTION A-A
 Calculated Max. Soil Pressure Under Footing = 2480 psf



DETAIL A



SHOWING REINFORCEMENT

PLAN

Notes:
 For Headwall and Edge Beam Reinforcement, see Sheet 1 of 3.

FILE NAME = _LT 2168-06.J0.dgn
 USER NAME =
 DESIGNED - A.C.S.
 CHECKED - B.B.
 DRAWN - A.C.S.
 CHECKED - C.J.F.
 PLOT SCALE =
 PLOT DATE = 1:42:57 PM 3/15/2011

BERNARDIN LOCHMULLER & ASSOCIATES, INC.
 1000 DRIVE
 MARYVILLE, ILLINOIS 62428
 PHONE (618) 283-4666
 FAX (618) 283-4666

DESIGNED - A.C.S.
 CHECKED - B.B.
 DRAWN - A.C.S.
 CHECKED - C.J.F.

REVISED -
 REVISED -
 REVISED -
 REVISED -

**STATE OF ILLINOIS
 DEPARTMENT OF TRANSPORTATION**

**BOX CULVERT DETAILS, LT STA 2168 + 06.10
 FAI ROUTES 57/70**

SHEET NO. 2 OF 11 SHEETS

F.A.I. RTE.	SECTION	COUNTY	TOTAL SHEETS	SHEET NO.
57/70	(25-3,4)R	EFFINGHAM	1098	360
CONTRACT NO. 74299			FED. ROAD DIST. NO. 7 ILLINOIS FED. AID PROJECT	