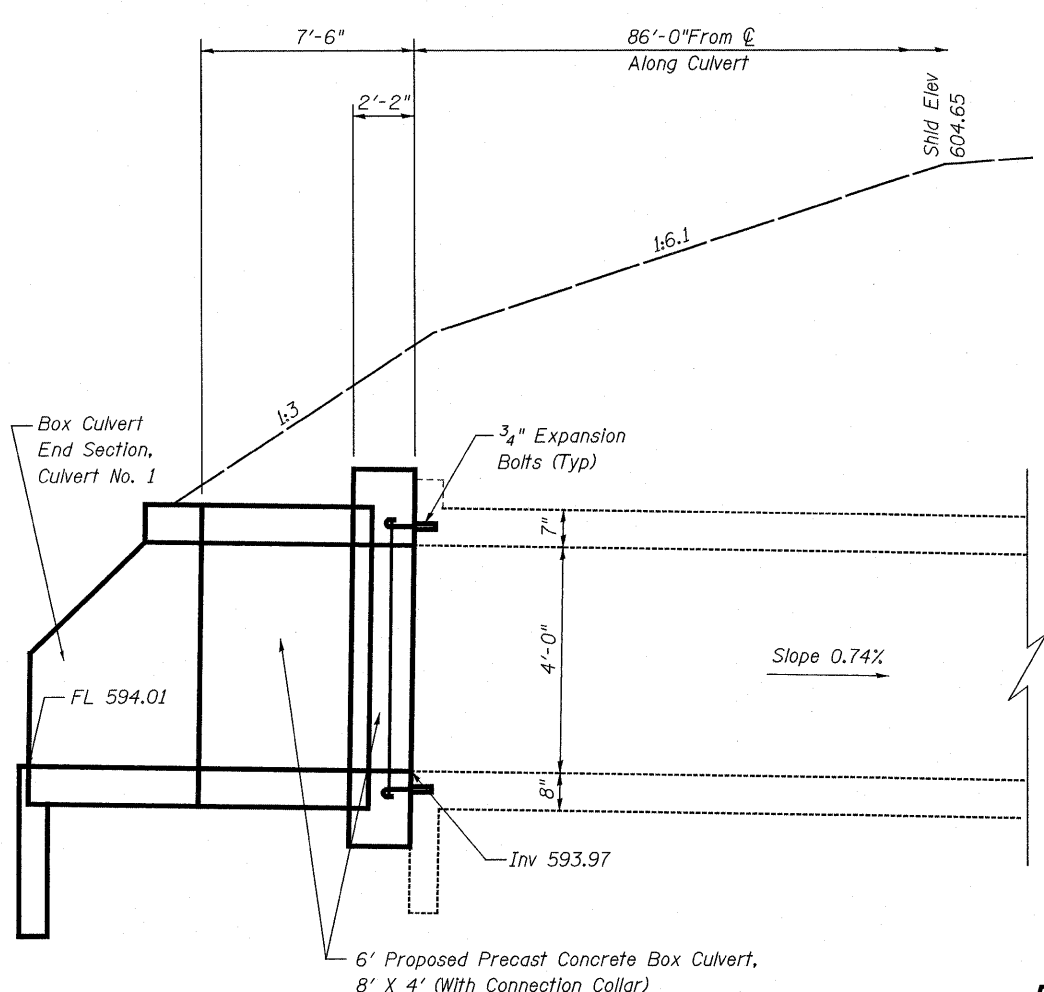


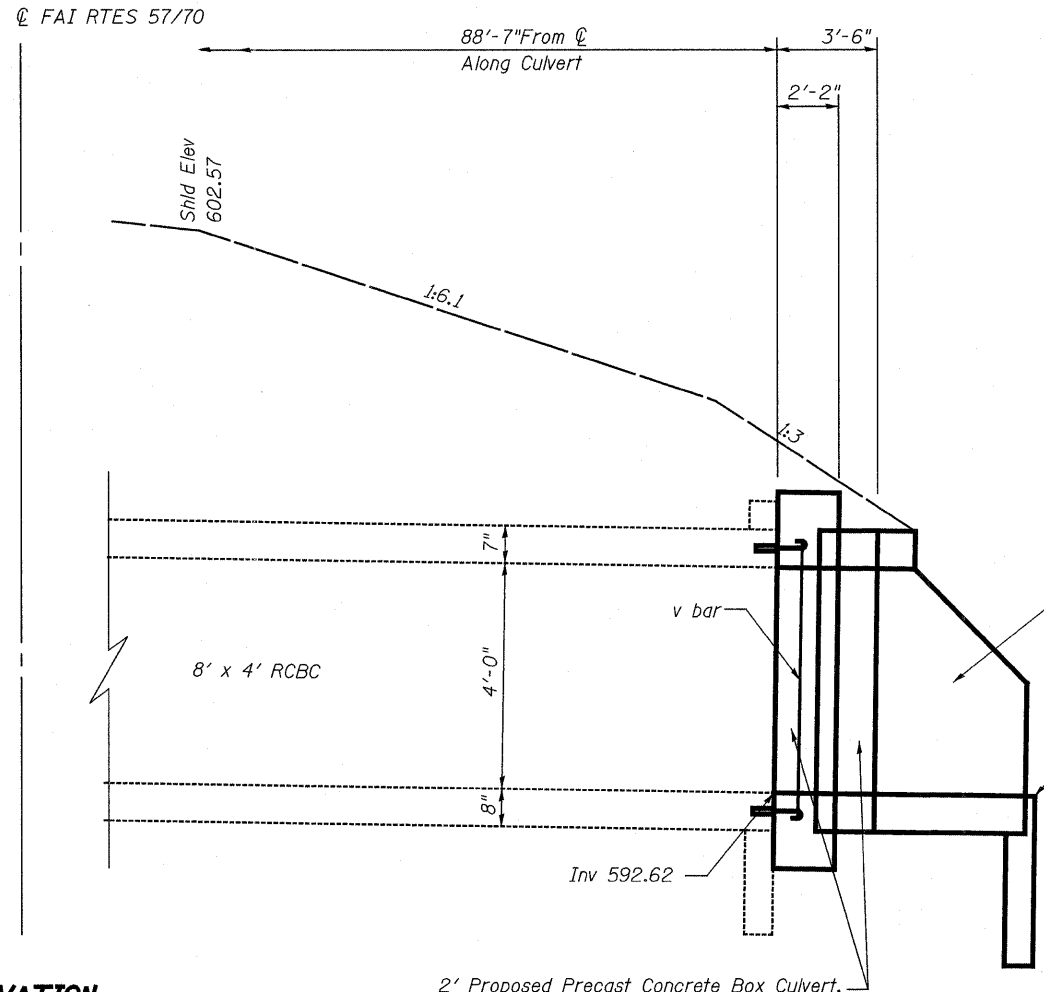
BILL OF MATERIAL

Bar	No.	Size	Length	Shape	
h	4	#4	8'-6"	—	
v	4	#4	4'-7"	—	
Concrete Collar				Cu. Yd.	5.4
Reinforcement Bars *				Pound	36
3/4" Expansion Bolts *				Each	36
Precast Concrete Box Culvert, 8' X 4'				Foot	8
Box Culvert End Section, Culvert No. 1				Each	2
Concrete Removal				Cu. Yd.	4.6

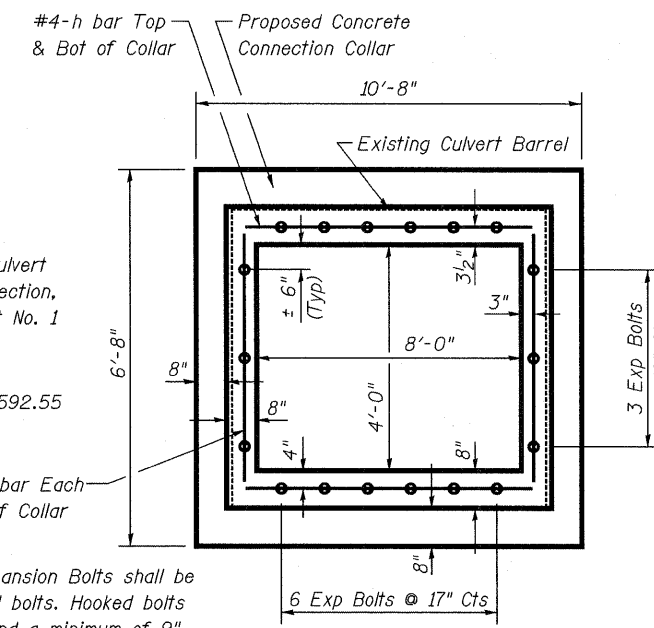
*For Information Only.



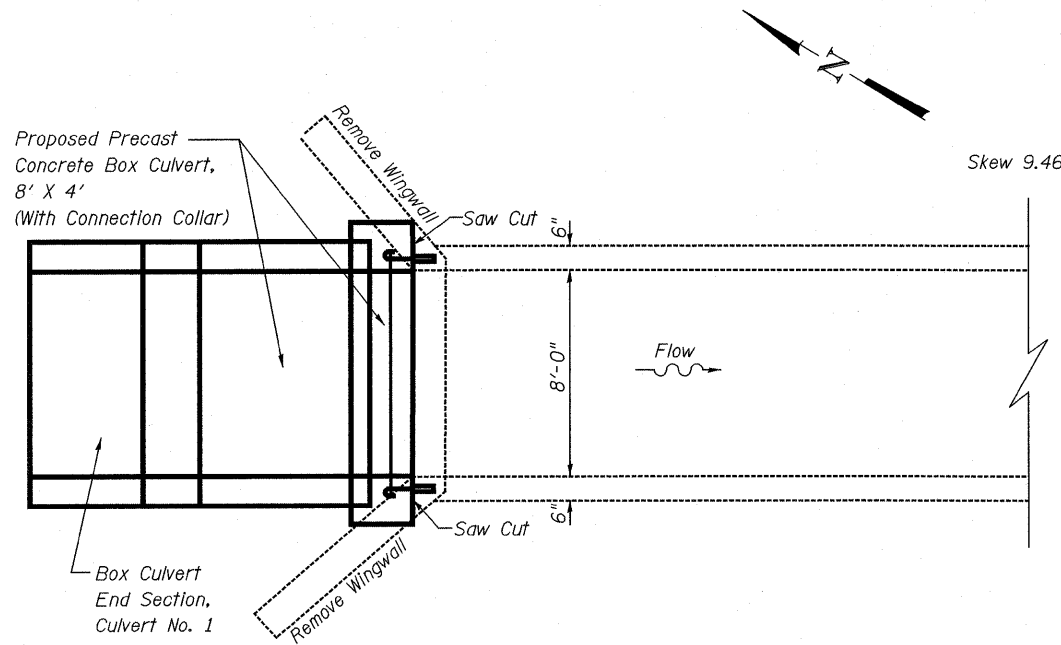
ELEVATION



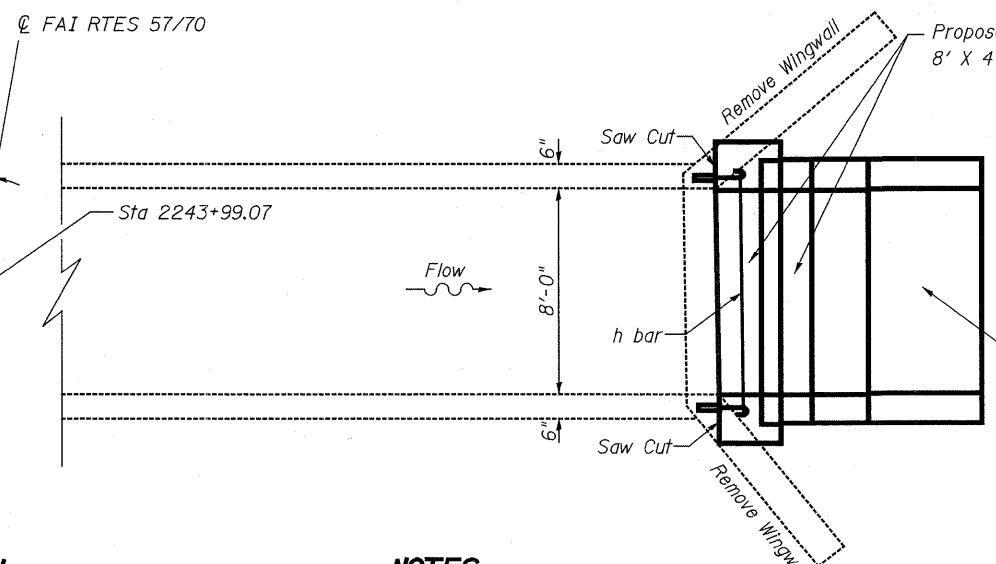
2' Proposed Precast Concrete Box Culvert, 8' X 4' (With Connection Collar)



EXPANSION BOLT LAYOUT

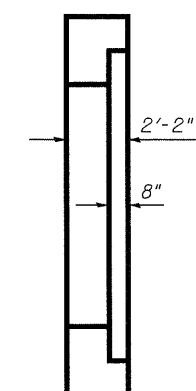


PLAN



NOTES

Reinforcement bars shall conform to the requirements of ASTM A 706 Gr 60. See Special Provisions.
Class SI Concrete shall be used for the Concrete Collars.



CONNECTION COLLAR DETAIL