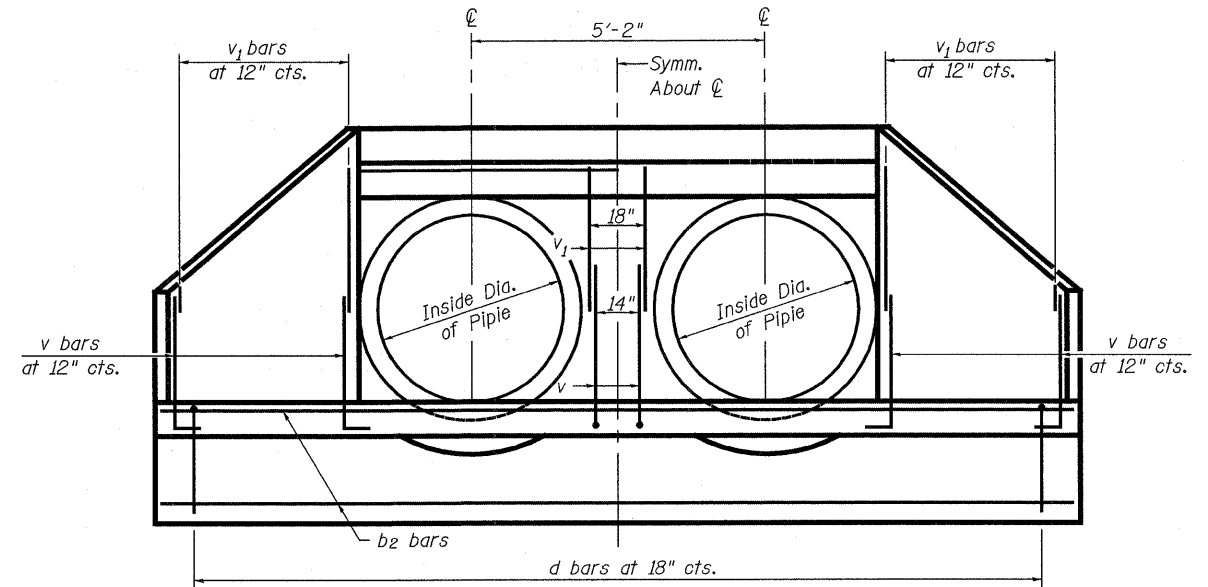
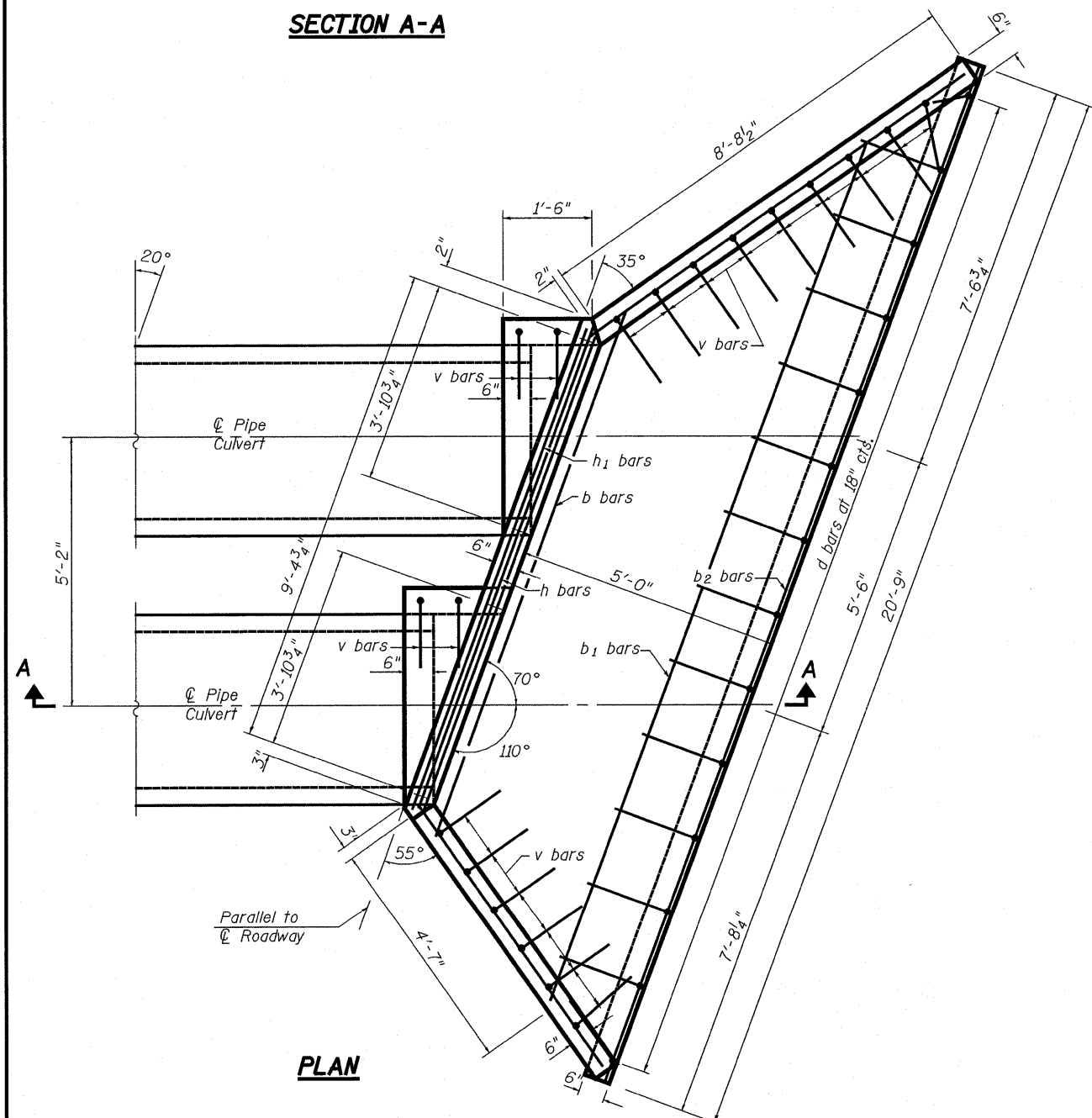


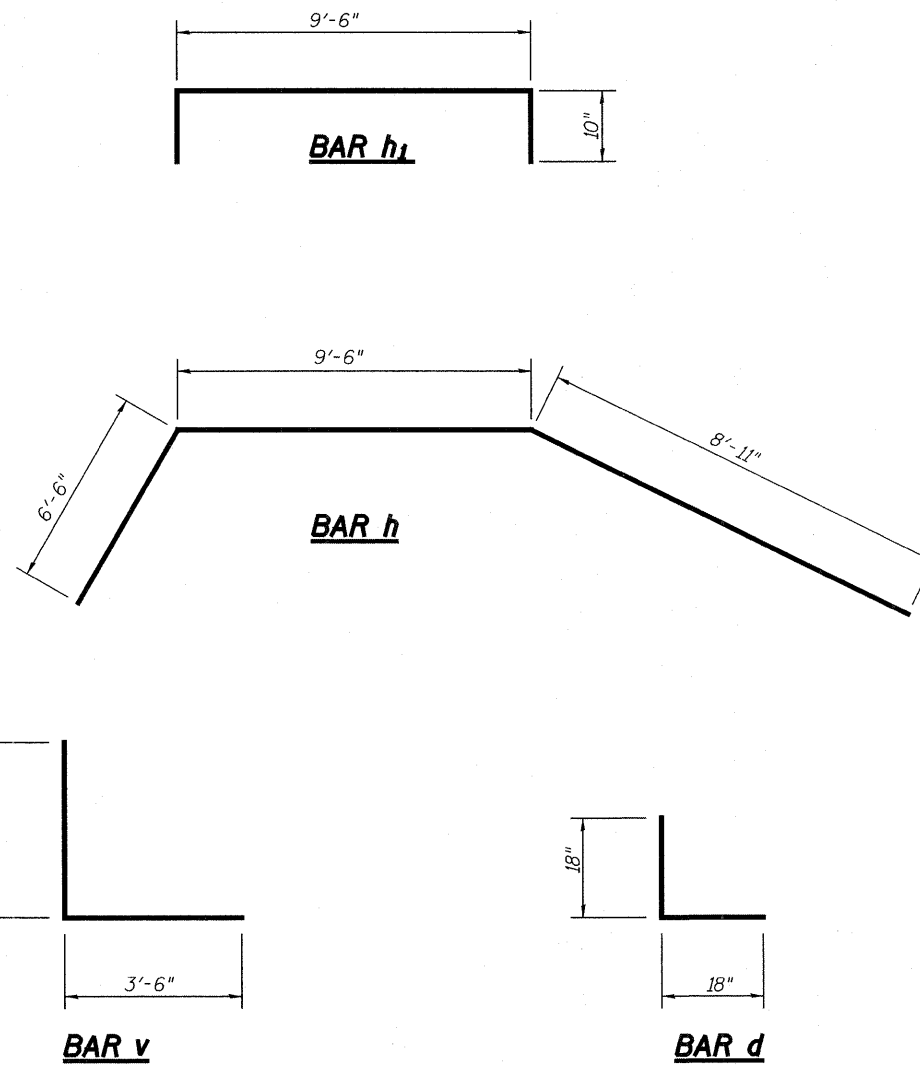
SECTION A-A



END ELEVATION



PLAN



**BILL OF MATERIAL-1 END SECTION
FOR INFORMATION ONLY**

| Bar | No. | Size | Length | Shape |
|-----------------------|-----|------|---------|-------|
| b | 1 | #4 | 10'-6" | — |
| b1 | 1 | #4 | 17'-6" | — |
| b2 | 2 | #4 | 20'-0" | — |
| d | 14 | #4 | 3'-0" | L |
| h | 1 | #4 | 24'-11" | — |
| h1 | 2 | #4 | 11'-6" | — |
| v | 30 | #4 | 7'-0" | — |
| v1 | 16 | #4 | 3'-6" | — |
| Concrete Box Culverts | | | Cu. Yd. | 4.0 |
| Reinforcement Bars | | | Pound | 283 |