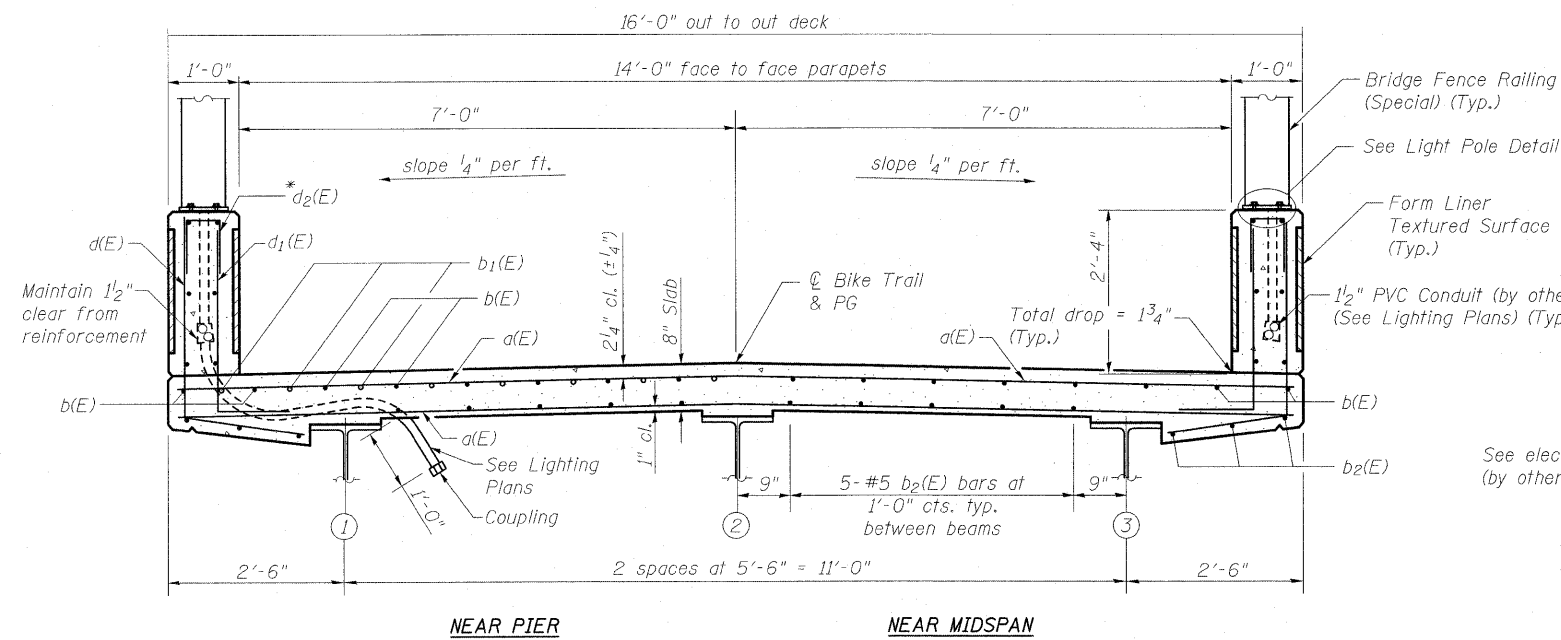


PLAN

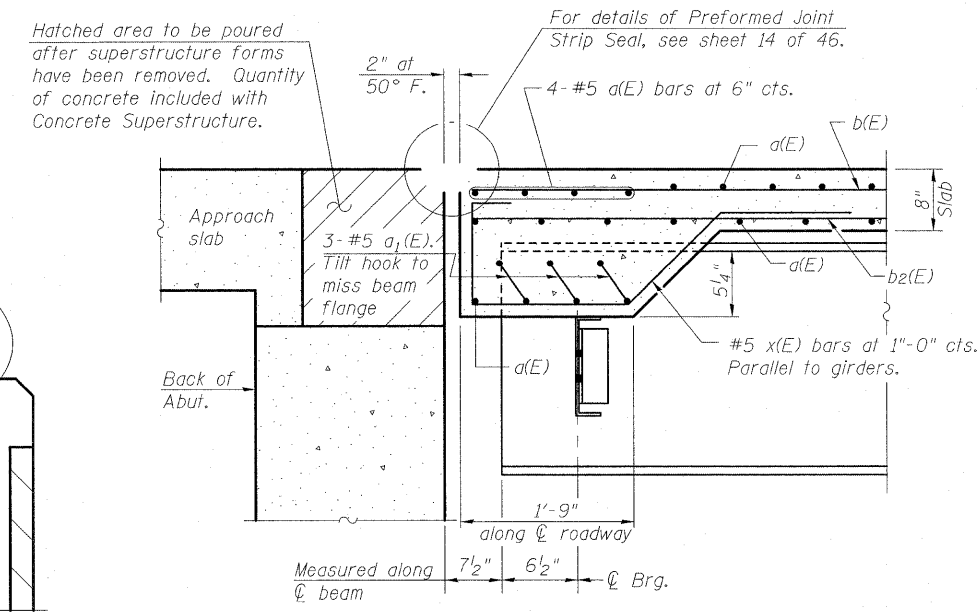
MIN. BAR LAPS

#5 bar = 2'-6"  
#6 bar = 3'-0"

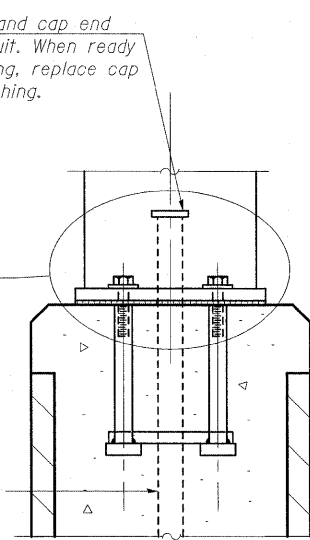
Notes:  
See sheet 8 of 46 for Bill of Material.  
Bars indicated thus 17 x 5-#5 etc. indicates 17 lines of bars with 5 lengths per line.  
See sheet 8 of 46 for Parapet Reinforcement.  
See sheet 2 of 46 for Form Liner Details.  
See sheet 41 of 46 for Bar Splicer Details.  
The joint opening and deck dimensions detailed on the superstructure are based on a rolled rail expansion joint. If the Contractor elects to use the welded rail expansion joint, the opening and deck dimensions shall be modified according to the dimensions detailed on this sheet. Required modifications shall be made at no additional cost to the State.



CROSS SECTION  
(Looking East)




SECTION A-A



LIGHT POLE DETAIL

\*Place 2-d<sub>2</sub>(E) bars at each Bridge Fence Railing (Special) Post.

FILE NAME = _D774299-0256010-st1007.dgn  BERNARD L. LOCHMILLER & ASSOCIATES, INC. 3 OAK DRIVE MAYVILLE, ILLINOIS 60153 PHONE (815) 288-4665 FAX (815) 288-4666	USER NAME = Illinois Design Firm Number 184,001670	DESIGNED - BB CHECKED - ACS DRAWN - WJS CHECKED - CJF	REVISED - REVISED - REVISED - REVISED -	<b>STATE OF ILLINOIS</b> <b>DEPARTMENT OF TRANSPORTATION</b>	<b>SUPERSTRUCTURE</b> <b>STRUCTURE NUMBER 025-6010</b>	F.A.I. SECTION COUNTY TOTAL SHEETS SHEET NO. 57/70 (25-31PB) EFFINGHAM 1098 376
	PLOT SCALE = PLOT DATE = 7:41:05 AM 5/6/2011	DRAWN - WJS CHECKED - CJF	REVISED - REVISED -			SN 025-6010 CONTRACT NO. 74299
	SHEET NO. 7 OF 46 SHEETS					FED. ROAD DIST. NO. 7 ILLINOIS FED. AID PROJECT