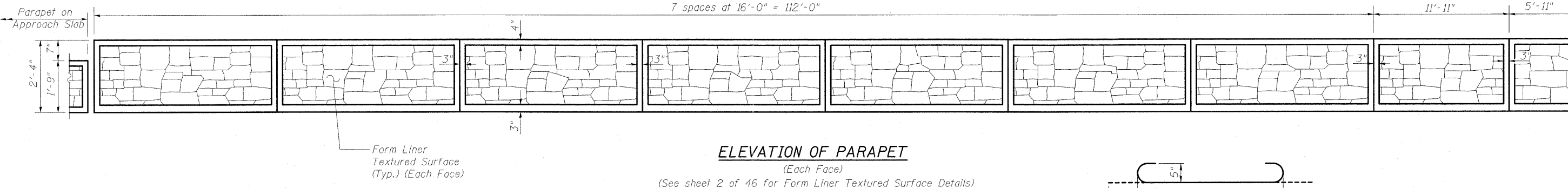
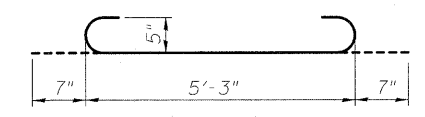


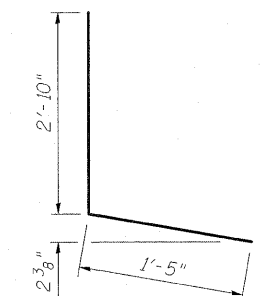
ELEVATION OF PARAPET
(Showing Reinforcement)



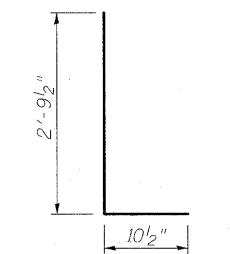
ELEVATION OF PARAPET
(Each Face)



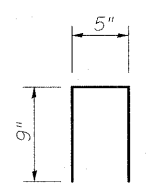
BAR a1(E)



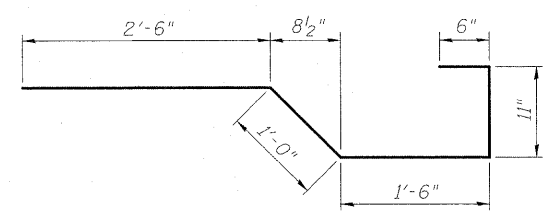
BAR d(E)



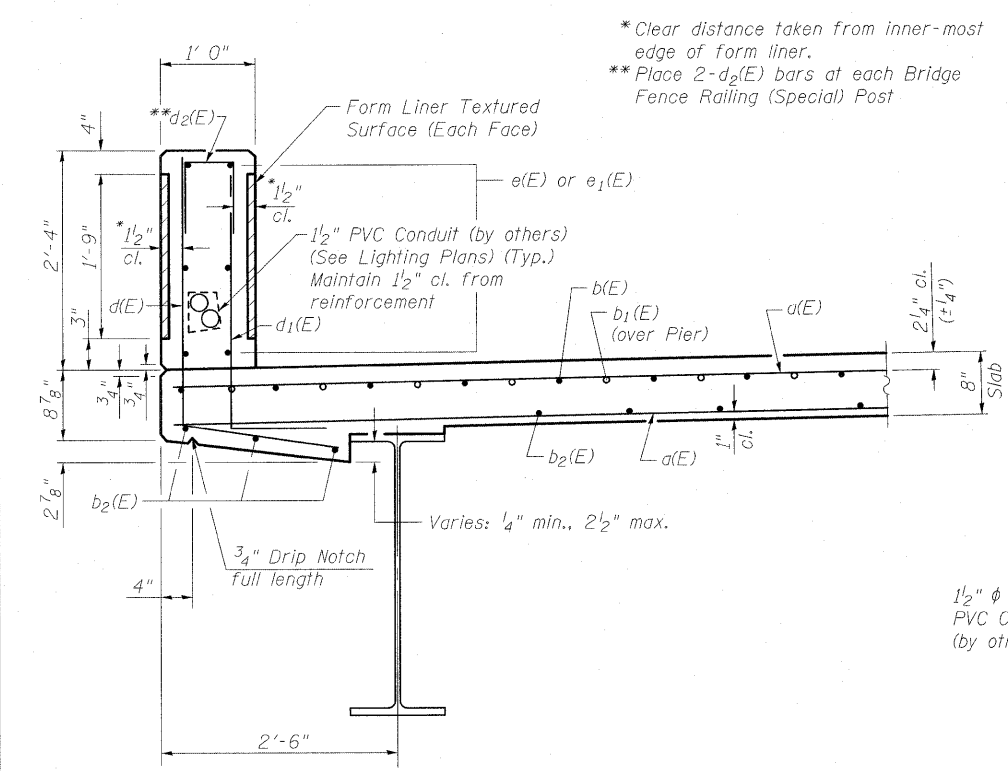
BAR d1(E)



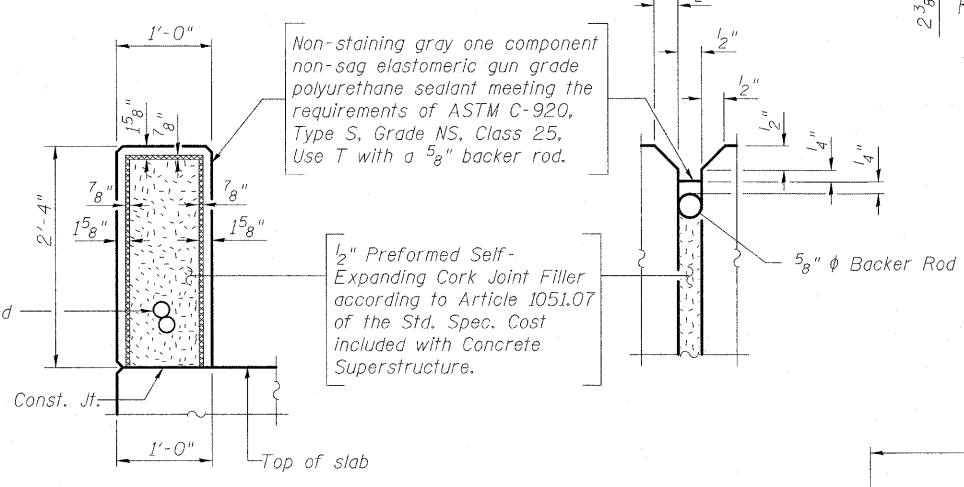
BAR d2(E)



BAR x(E)



SECTION THRU PARAPET



PARAPET JOINT DETAILS

SUPERSTRUCTURE BILL OF MATERIAL

Bar	No.	Size	Length	Shape
a(E)	760	#5	15'-9"	—
a1(E)	12	#5	6'-5"	U
b(E)	102	#5	45'-4"	—
b1(E)	48	#6	29'-9"	—
b2(E)	112	#5	39'-3"	—
d(E)	568	#5	4'-3"	L
d1(E)	568	#5	3'-8"	L
d2(E)	128	#5	1'-11"	U
e(E)	168	#4	15'-9"	—
e1(E)	36	#4	11'-8"	—
x(E)	20	#5	6'-5"	L
Reinforcement Bars, Epoxy Coated			Pound	31,250
Concrete Superstructure			Cu. Yds.	165.4
Form Liner Textured Surface			Sq. Ft.	1762