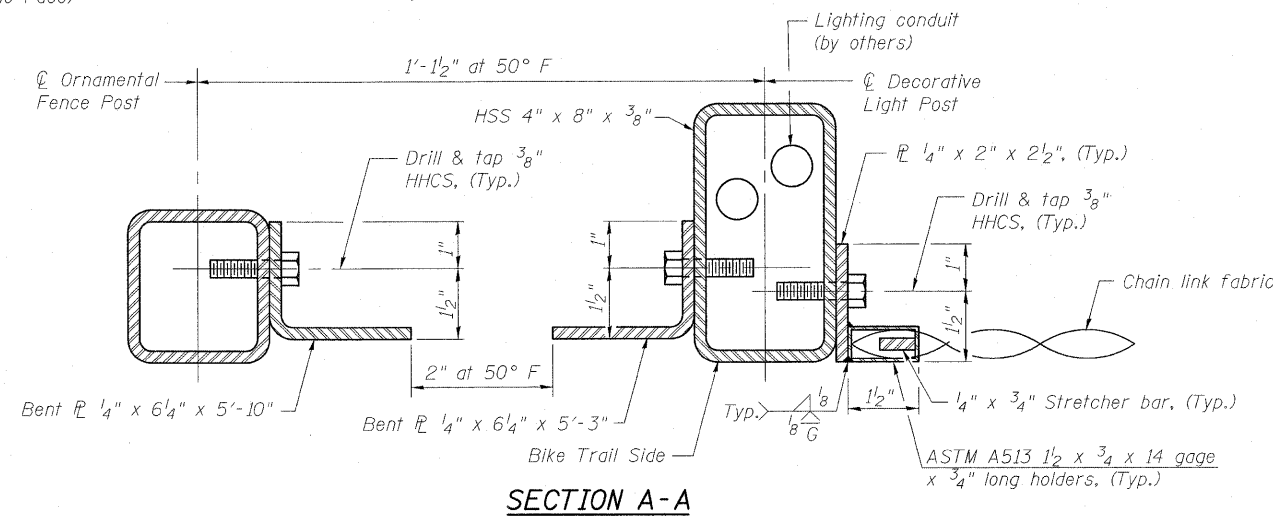
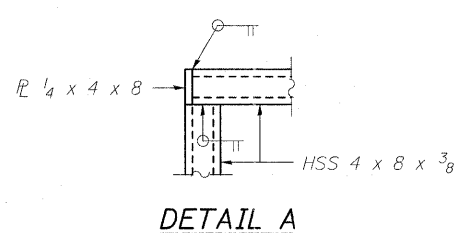
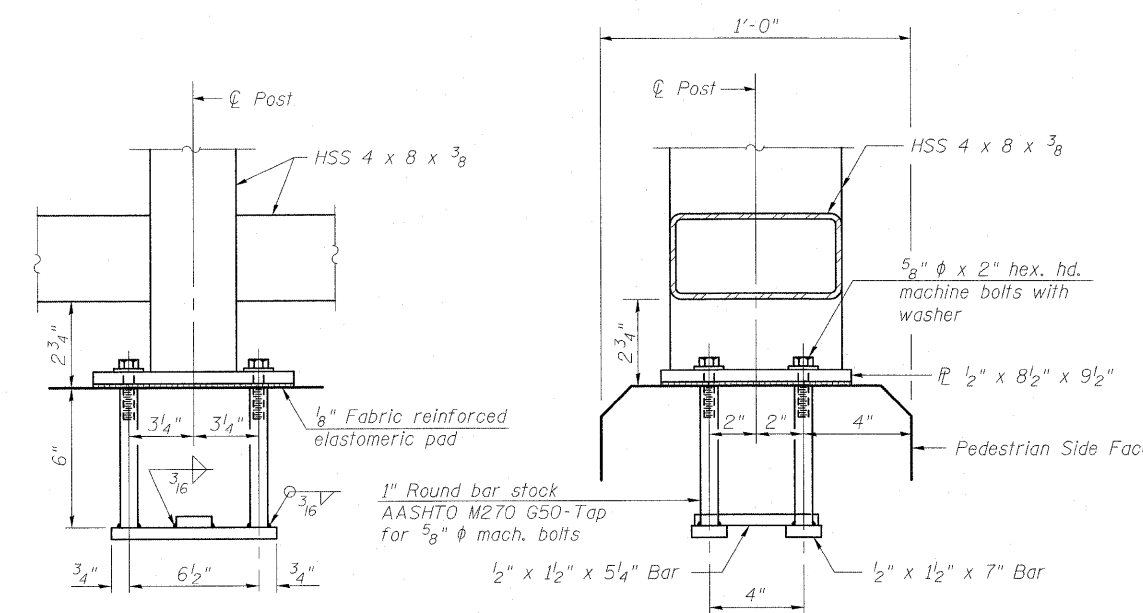


**ELEVATION BRIDGE FENCE RAILING (SPECIAL)**  
(Showing Pedestrian Side Face)

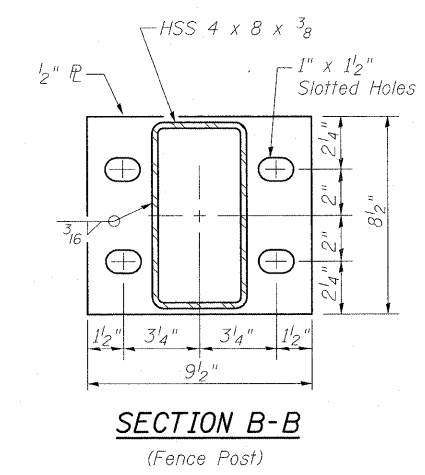


**SECTION A-A**

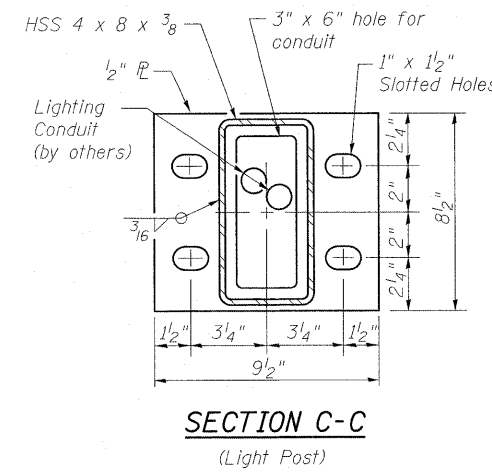


**ANCHOR BOLT DETAILS**

In lieu of the cast-in-place anchor device shown, the Contractor has the option of drilling and setting 5/8" phi anchor rods according to Article 509.06 of the Standard Specifications. Embedment shall be according to the manufacturer's specifications.



**SECTION B-B**  
(Fence Post)



**SECTION C-C**  
(Light Post)

Note:  
For location of all light posts and figurine placement/orientation elevation view see sheet 1 of 46.  
For additional connection and hand rail details see sheet 10 of 46.  
For figurine dimensions and connection details see sheets 11, 12 and 13 of 46.  
See special provision, Bridge Fence Railing (Special) for additional requirements.  
The cost for figurines is included with Bridge Fence Railing (Special).

**BILL OF MATERIAL**

Item	Unit	Quantity
Bridge Fence Railing (Special)	Foot	520