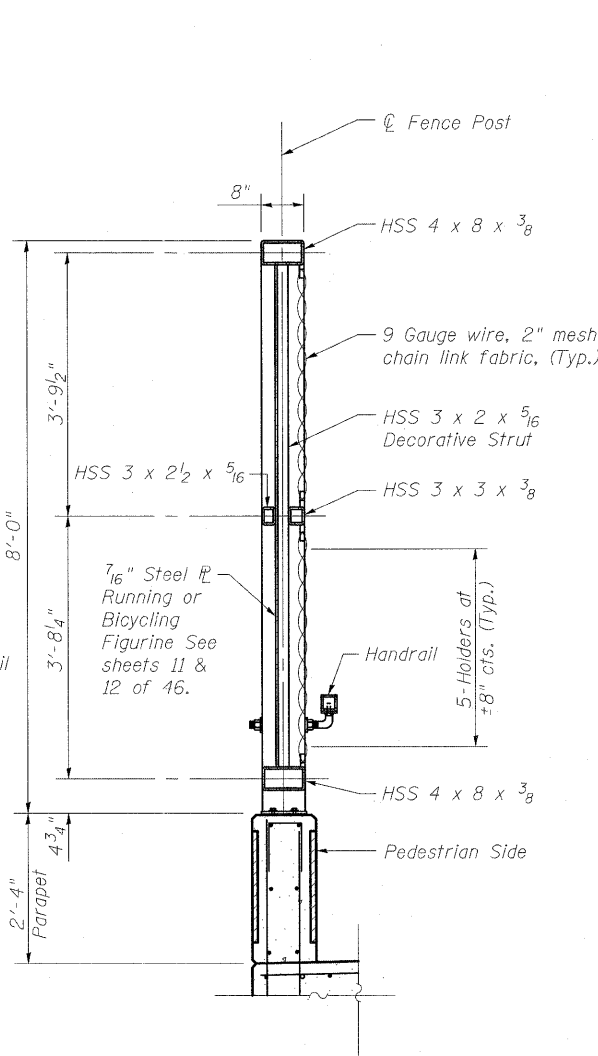
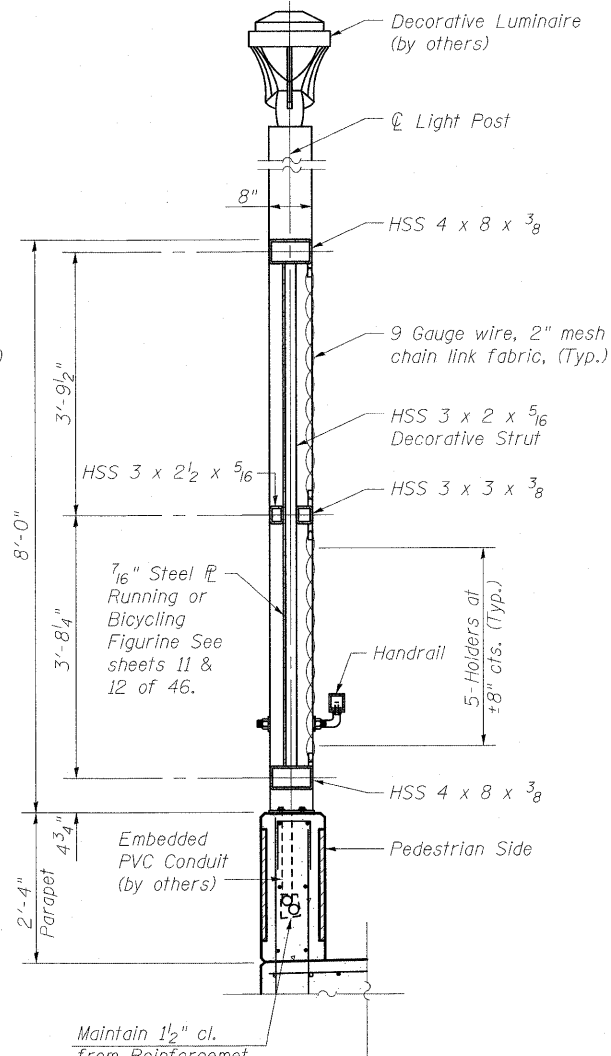


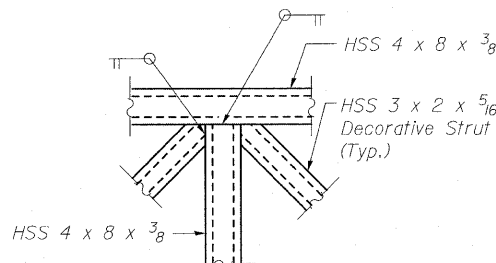
ELEVATION VIEW
(Showing Pedestrian Side Face)



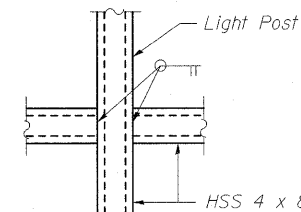
SECTION THRU FENCE AT FENCE POST



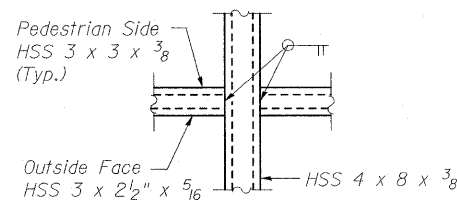
SECTION THRU FENCE AT LIGHT POST



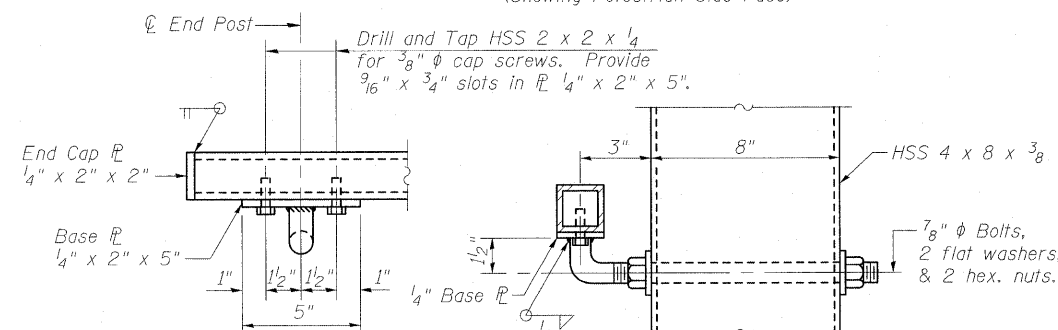
DETAIL A



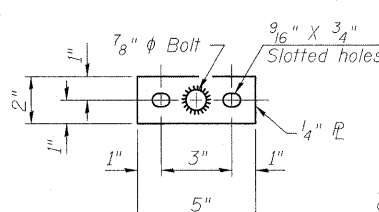
DETAIL B



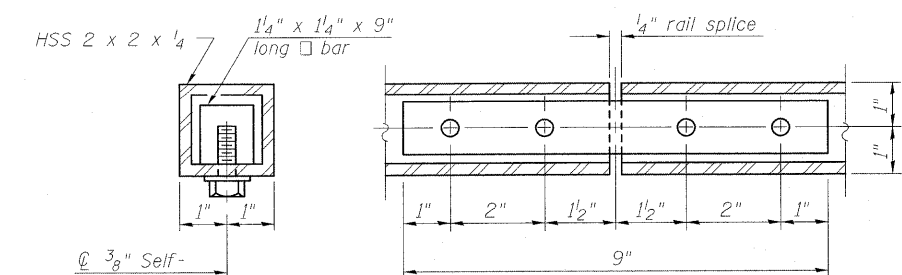
DETAIL C



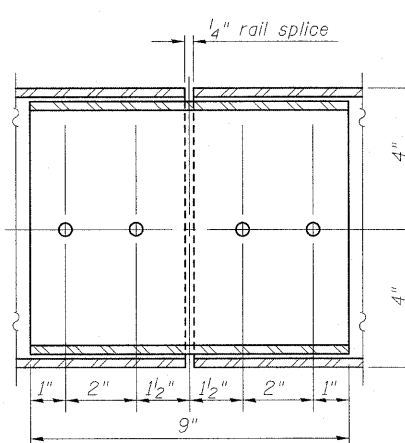
HANDRAIL DETAIL



BASE PL
(Handrail)

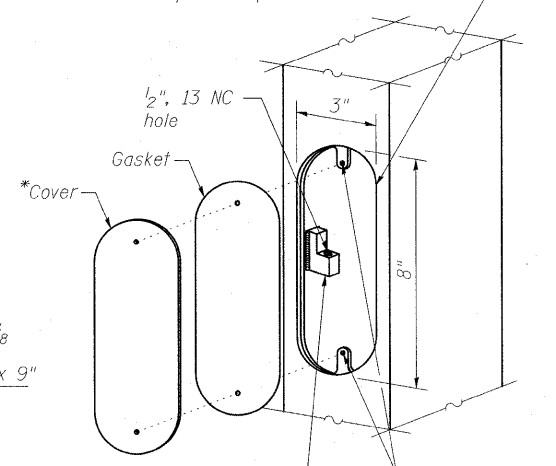
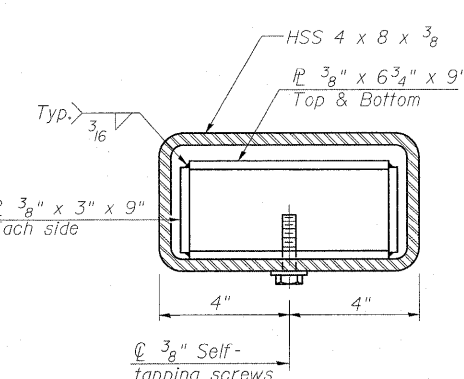


HANDRAIL SPLICE



RAIL SPLICE

*Cover shall be fastened to the frame utilizing flat, tamper resistant stainless steel pin-head drive screws coated with anti-seize compound.



DETAIL D

Note:
See sheet 1 of 46 Elevation View and 9 of 46 for general Bridge Fence Railing (Special) Layout.
For galvanizing and painting information see special provisions for Bridge Fence Railing (Special).