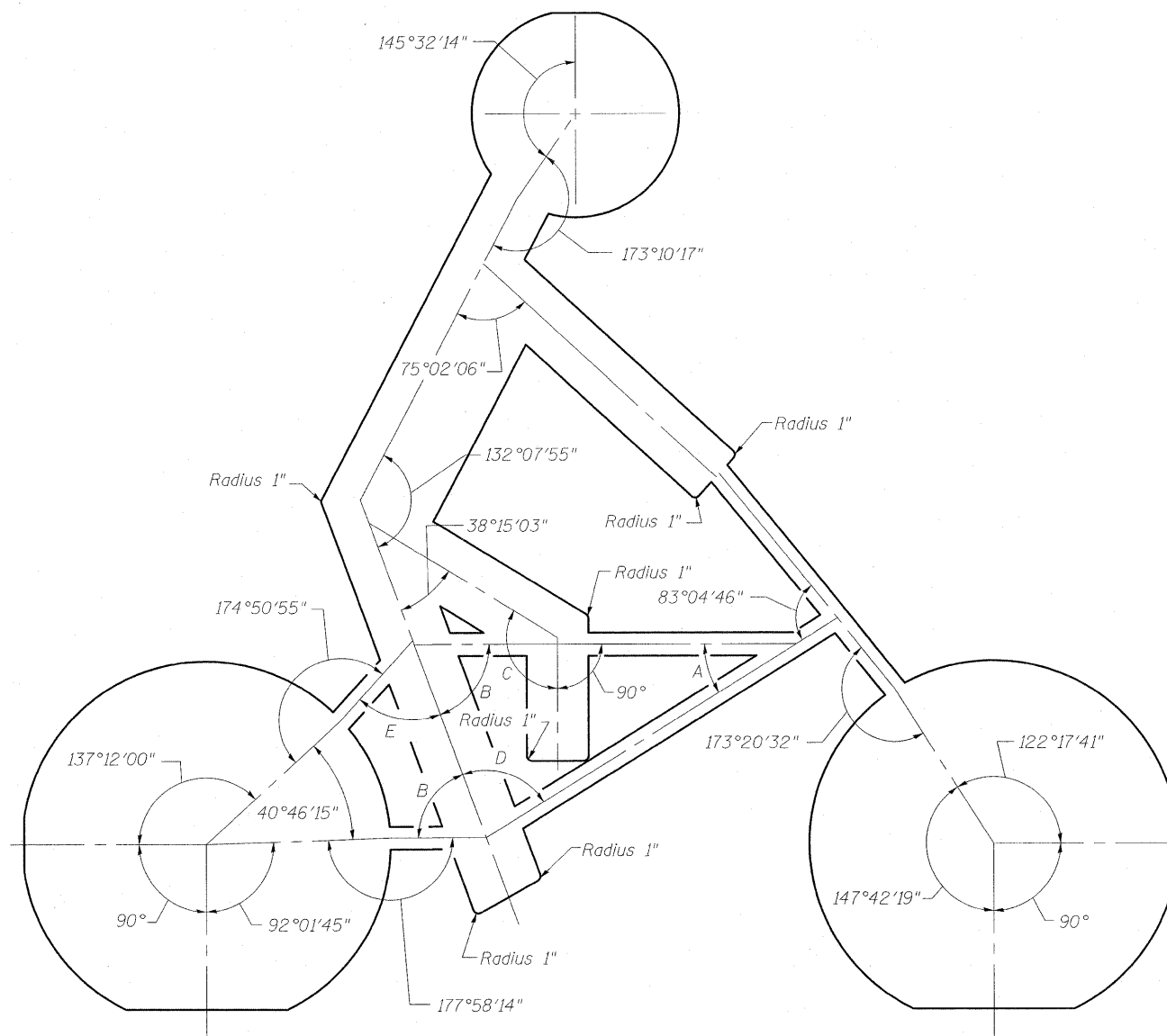


BICYCLING FIGURINE
(showing dimensions)



BICYCLING FIGURINE
(showing angles)

- ANGLES**
- A 32°01'54"
 - B 69°45'59"
 - C 121°30'56"
 - D 72°12'06"
 - E 62°16'56"

Note:
See sheet 13 of 46 for attachment details.

FILE NAME = _D774299-0256010-st01012.dgn
 BERNARD L. LOCKMUELLER & ASSOCIATES, INC.
 3 GALE DRIVE
 MARYVILLE, ILLINOIS 62452
 PHONE (618) 288-4662
 FAX (618) 288-4666

USER NAME =
 Illinois Design Firm Number IB4.001670
 PLOT SCALE =
 PLOT DATE = 7:42:41 AM 5/6/2011

DESIGNED - BB
 CHECKED - ACS
 DRAWN - WJS
 CHECKED - CJF

REVISED -
 REVISED -
 REVISED -
 REVISED -

STATE OF ILLINOIS
DEPARTMENT OF TRANSPORTATION

BRIDGE FENCE RAILING (SPECIAL) BICYCLING FIGURINE
STRUCTURE NUMBER 025-6010

SHEET NO. 12 OF 46 SHEETS

F.A.I. RTE.	SECTION	COUNTY	TOTAL SHEETS	SHEET NO.
57/70	(25-3)PB	EFFINGHAM	1098	381
SN 025-6010			CONTRACT NO. 74299	
FED. ROAD DIST. NO. 7 ILLINOIS FED. AID PROJECT				