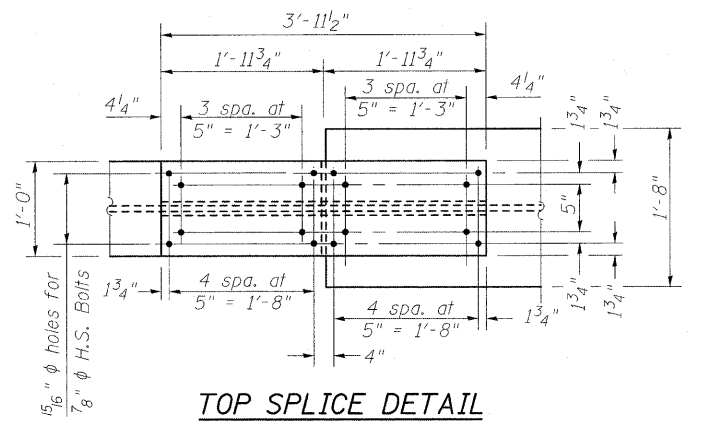
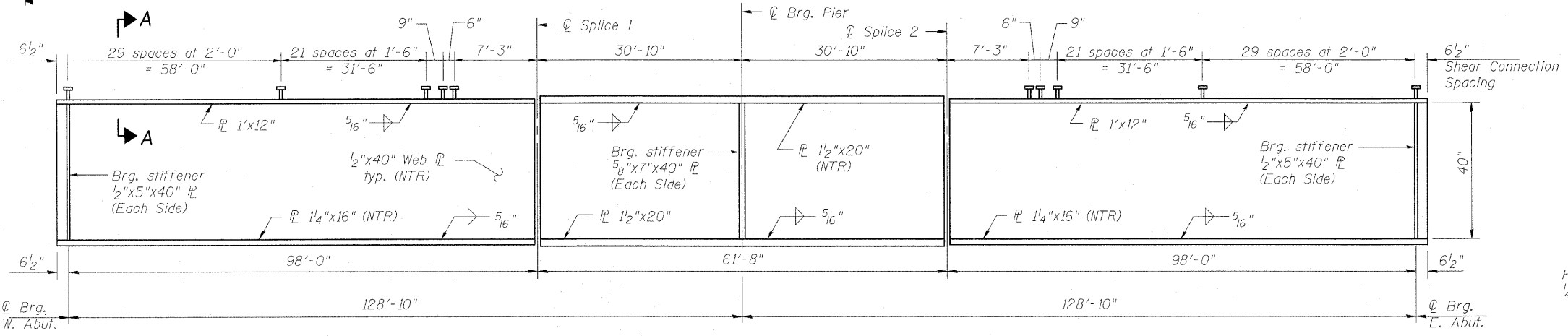


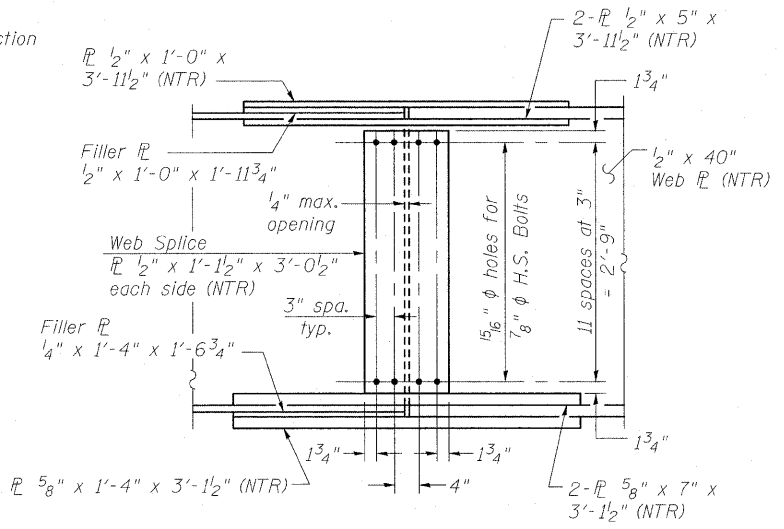
**FRAMING PLAN**



**TOP SPLICE DETAIL**



**GIRDER ELEVATION**  
 "NTR" denotes plates to which notch toughness requirements are applicable.

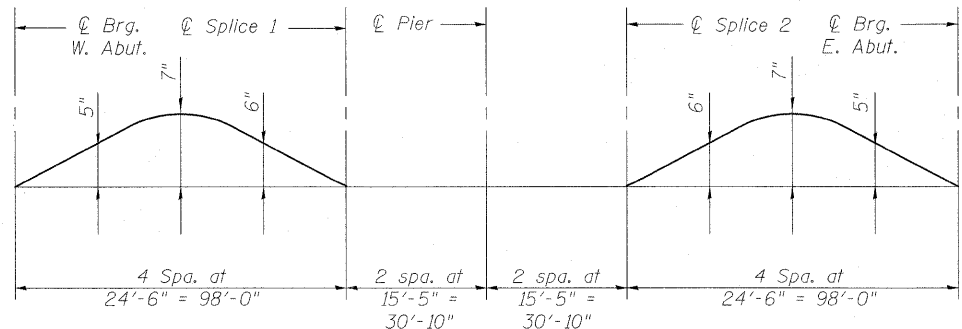


**ELEVATION SPLICE DETAIL**

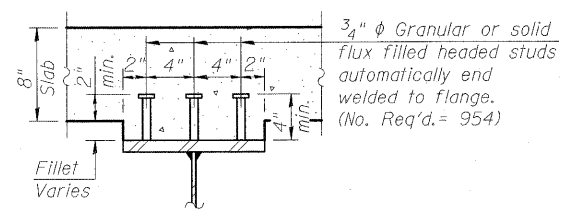
**\* TOP OF WEB ELEVATIONS**

Location	℄ Brg. W. Abut.	℄ Splice 1	℄ Pier	℄ Splice 2	℄ Brg. E. Abut.
Girder 1	591.88	594.76	594.76	594.76	591.88
Girder 2	591.98	594.87	594.87	594.87	591.98
Girder 3	591.88	594.76	594.76	594.76	591.88

\*"For Fabrication Only"

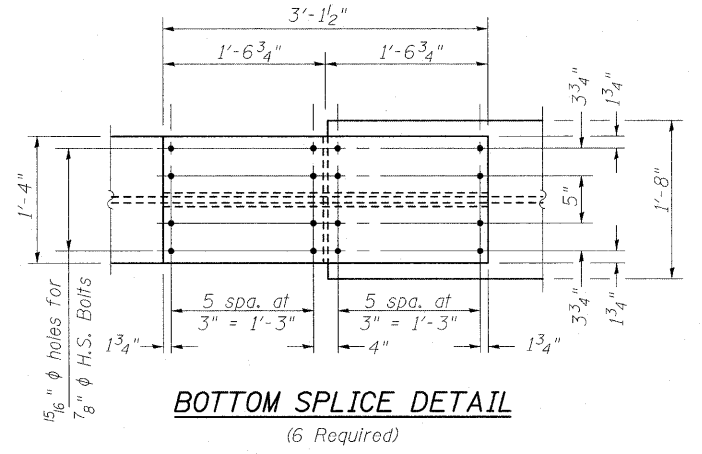


**CAMBER DIAGRAM**



**SECTION A-A**

Notes:  
 Two hardened washers required for each set of oversized holes.  
 All splice plates, except filler plates, shall be M270 Grade 50 (NTR).  
 All girder flanges, webs and bearing stiffeners shall be M270 Grade 50.  
 All diaphragms shall be installed as steel is erected and secured with erection pins and bolts except as otherwise noted. Individual diaphragms at supports may be temporarily disconnected to install bearing anchor rods.  
 Load carrying components designated "NTR" shall conform to the Supplemental Requirements for Notch Toughness, Zone 2.  
 "NTR" denotes plates to which notch toughness requirements are applicable.  
 For details of Bearing Stiffeners See sheet 20 of 46.  
 For diaphragm details see sheet 20 of 46.



**BOTTOM SPLICE DETAIL**  
 (6 Required)