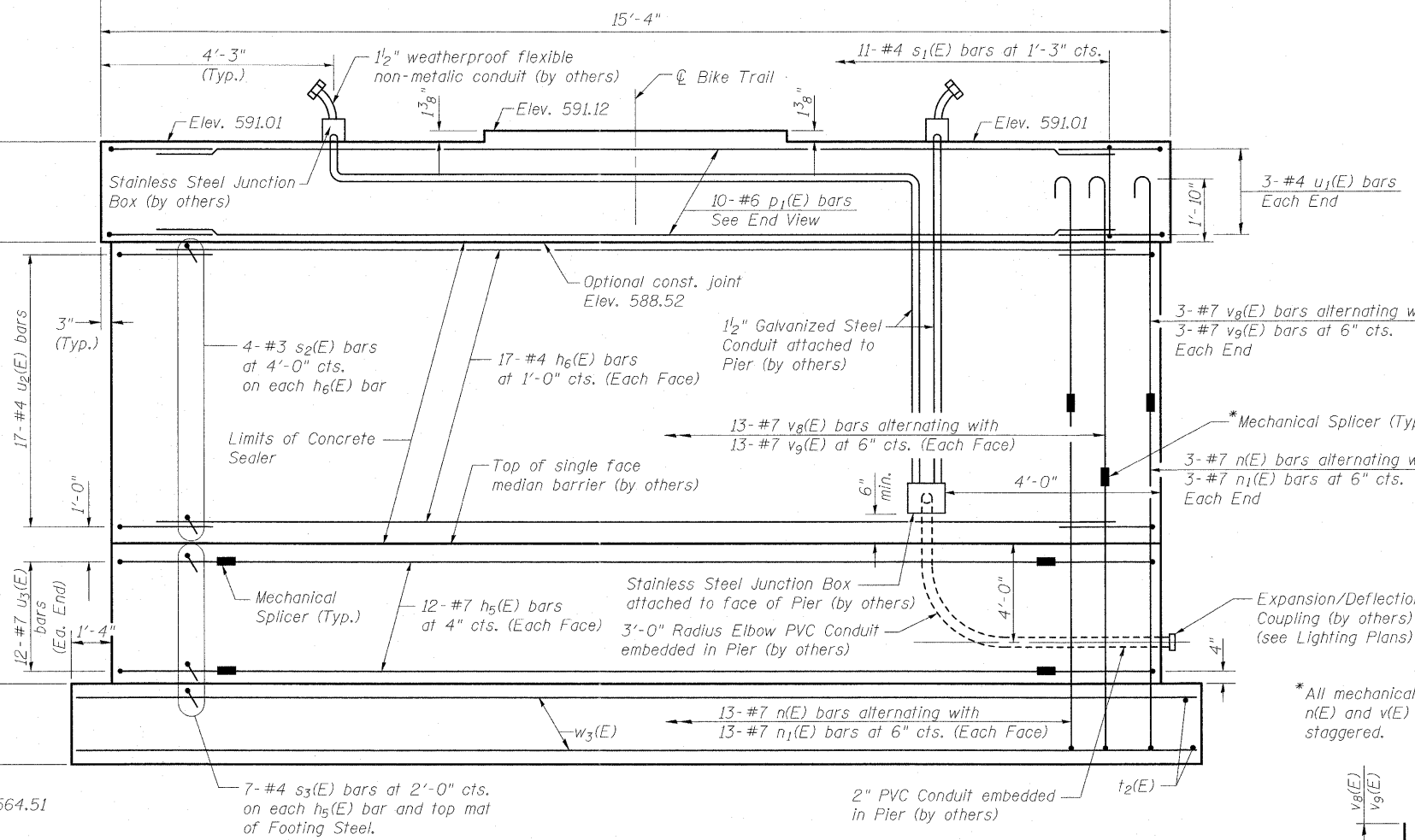
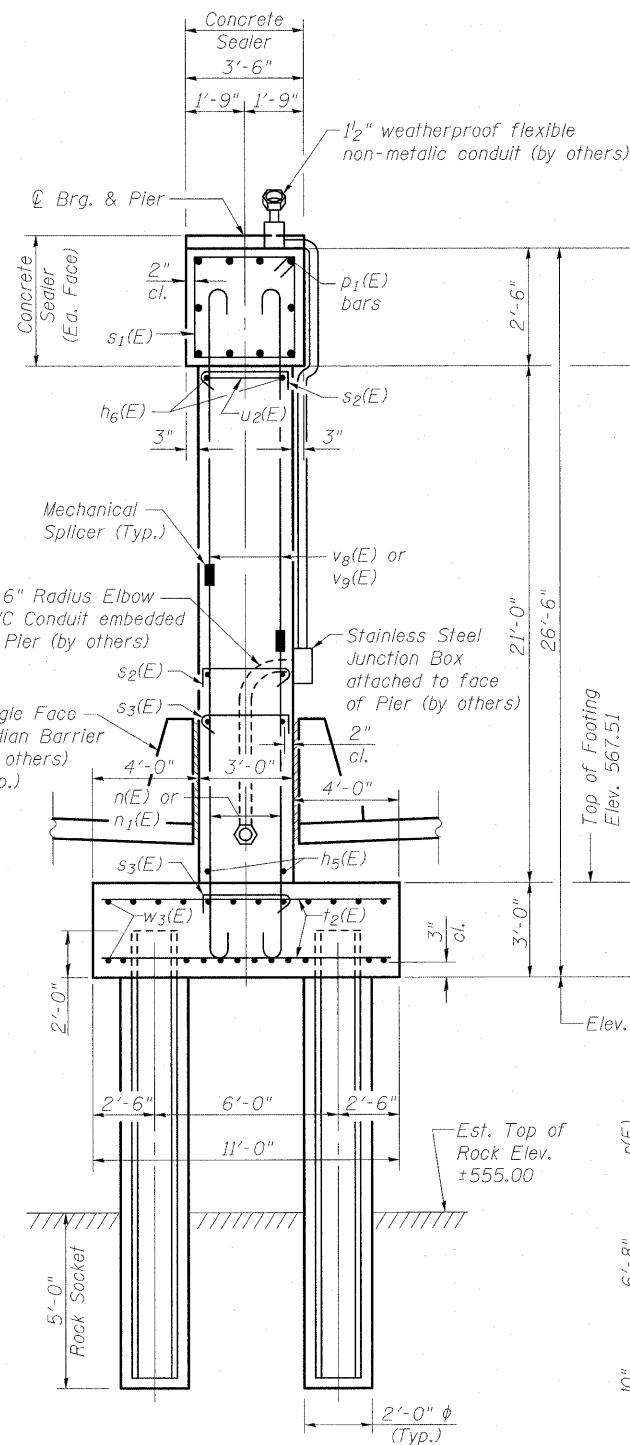
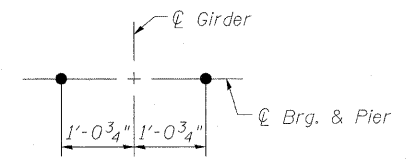
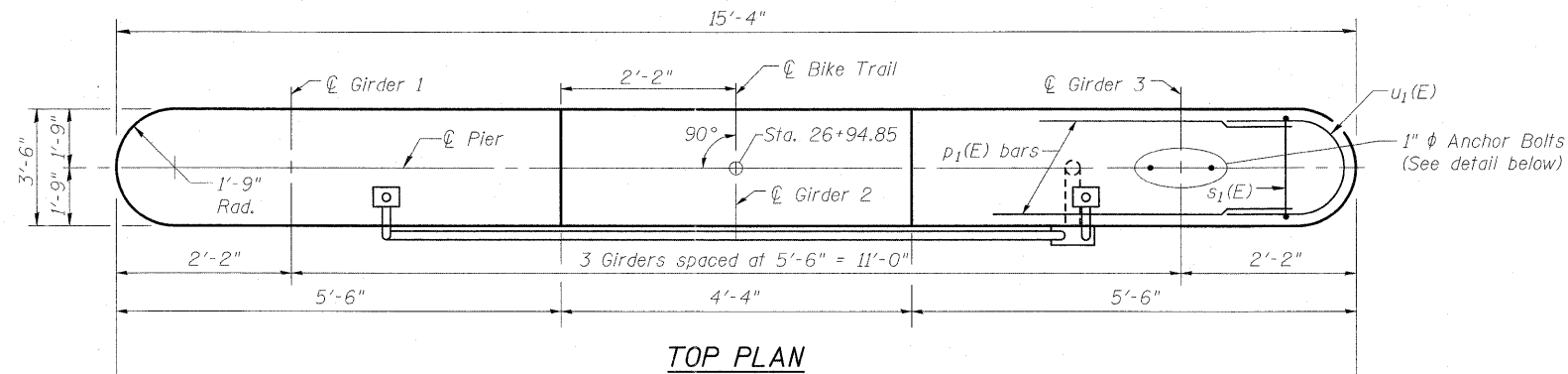


Notes:
 Space reinforcement in cap to miss anchor bolts.
 Pour steps monolithically with cap.
 For details of piles, see sheet 42 of 46.
 See sheet 25 of 46 for Footing Plan.



BILL OF MATERIAL

Bar	No.	Size	Length	Shape
h ₅ (E)	24	#7	9'-2"	—
h ₆ (E)	34	#4	11'-10"	—
n(E)	32	#7	7'-6"	U
n ₁ (E)	32	#7	8'-0"	U
p ₁ (E)	10	#6	11'-10"	—
s ₁ (E)	11	#4	11'-5"	□
s ₂ (E)	68	#3	3'-4"	┘
s ₃ (E)	91	#4	3'-4"	┘
t ₂ (E)	62	#8	10'-6"	—
u ₁ (E)	6	#4	9'-0"	U
u ₂ (E)	34	#4	9'-6"	U
u ₃ (E)	24	#7	6'-10"	U
v ₈ (E)	32	#7	19'-9"	U
v ₉ (E)	32	#7	19'-3"	U
w ₃ (E)	24	#5	17'-0"	—
Structure Excavation			Cu. Yd.	66
Concrete Structures			Cu. Yd.	58.5
Reinforcement Bars, Epoxy Coated			Pound	7590
Furnishing Steel Piles HP 14x73			Foot	136
Concrete Sealer			Sq. Ft.	624
Setting Piles in Rock			Each	8
Mechanical Splicers			Each	112

*All mechanical splicers for n(E) and v(E) bars shall be staggered.

END VIEW

BARS n(E) & n₁(E)

BAR s₁(E)

BARS s₂(E) & s₃(E)

BARS u₁(E) & u₃(E)

BAR u₂(E)

BARS v₈(E) & v₉(E)

ELEVATION
(Looking East)

