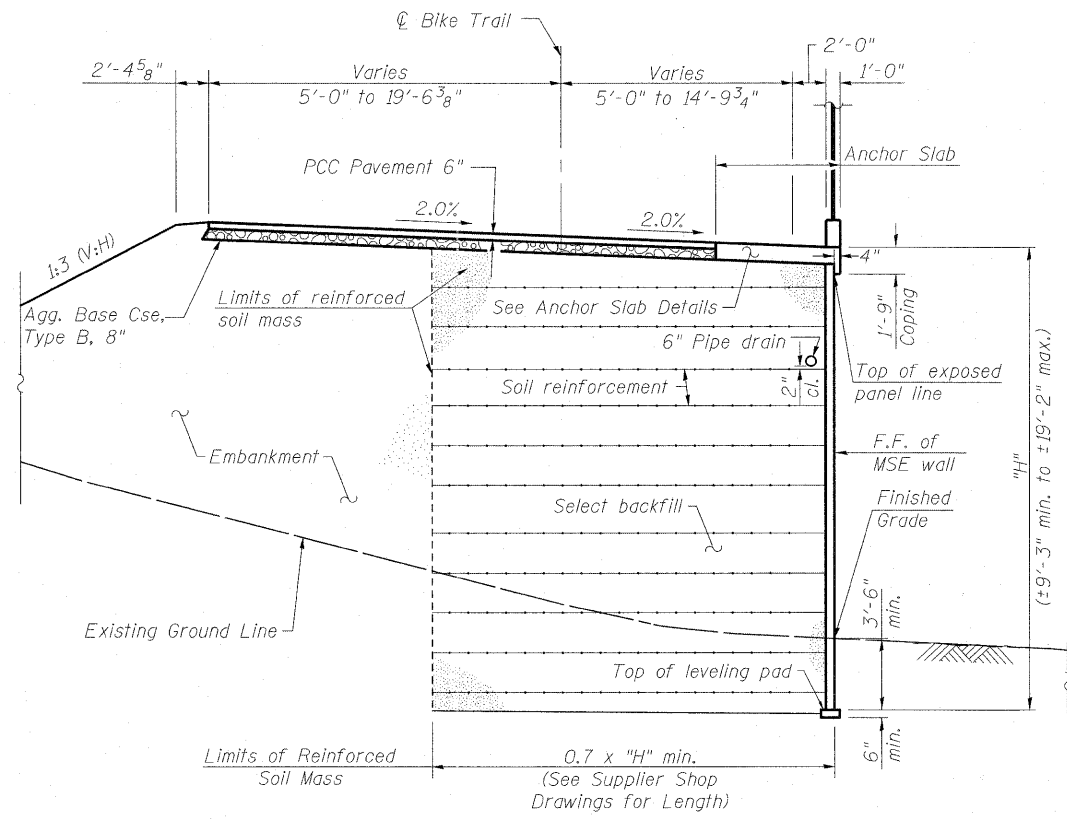
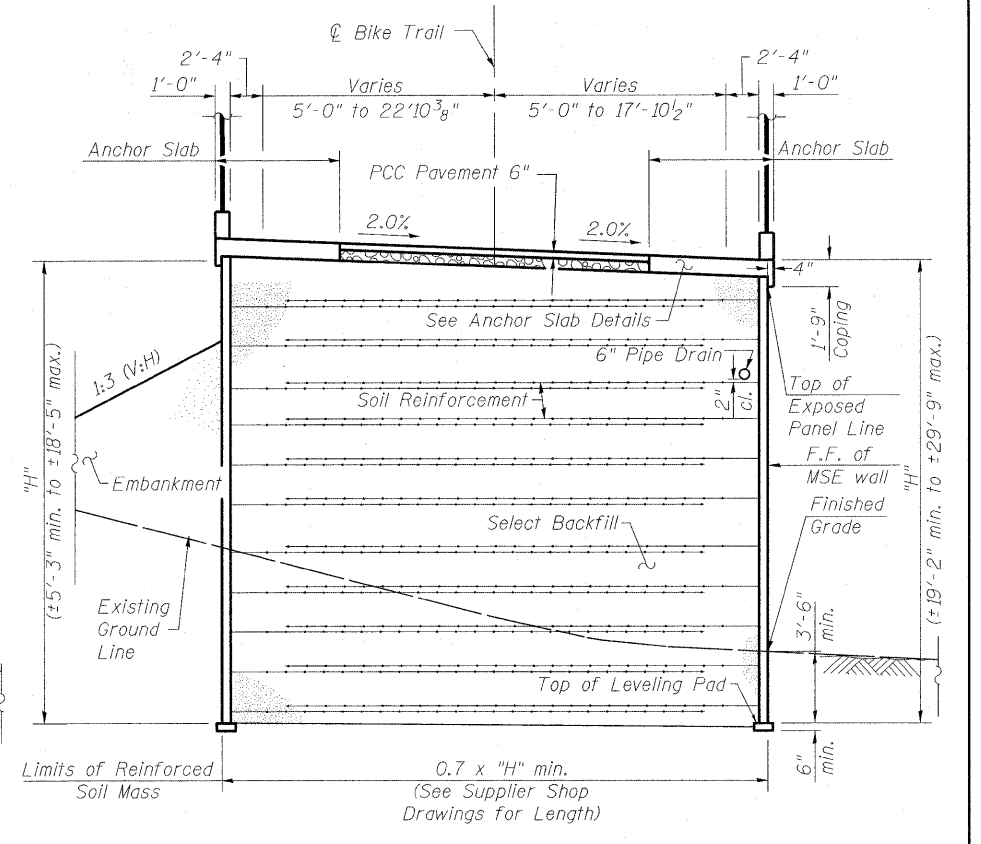


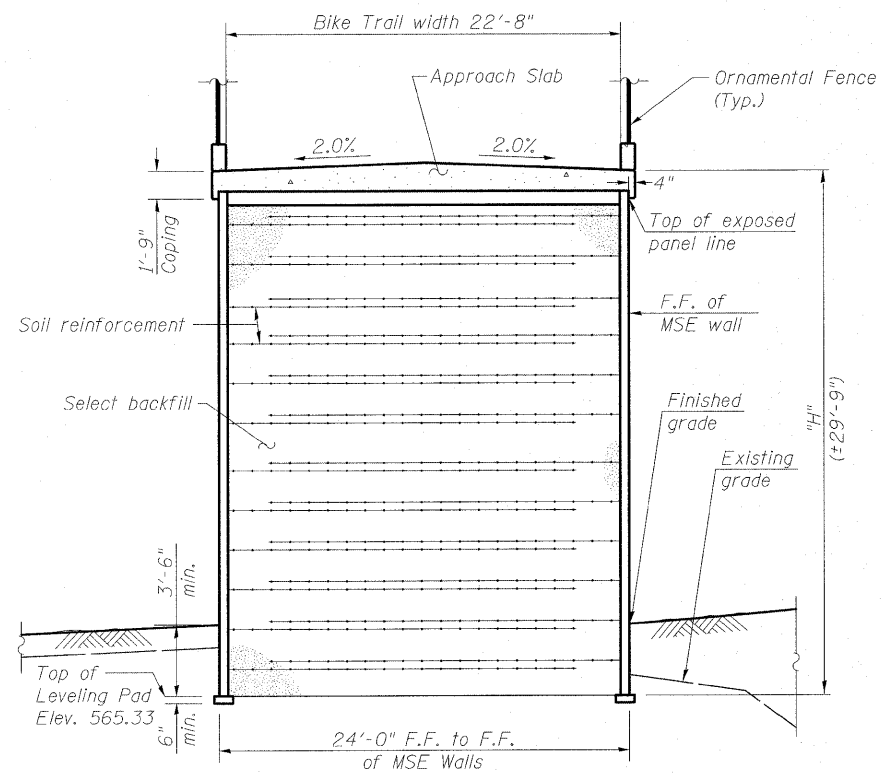
**SECTION A-A  
THRU MSE WALL & BIKE TRAIL**  
Sta. 24+10.60 to Sta. 24+63.67



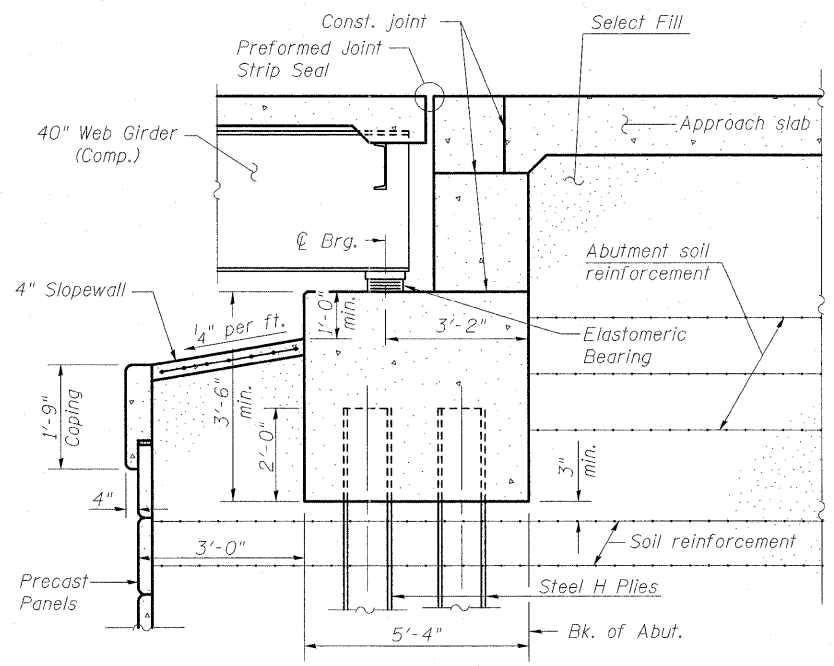
**SECTION B-B  
THRU MSE WALL & BIKE TRAIL**  
Sta. 24+63.67 to Sta. 25+11.75



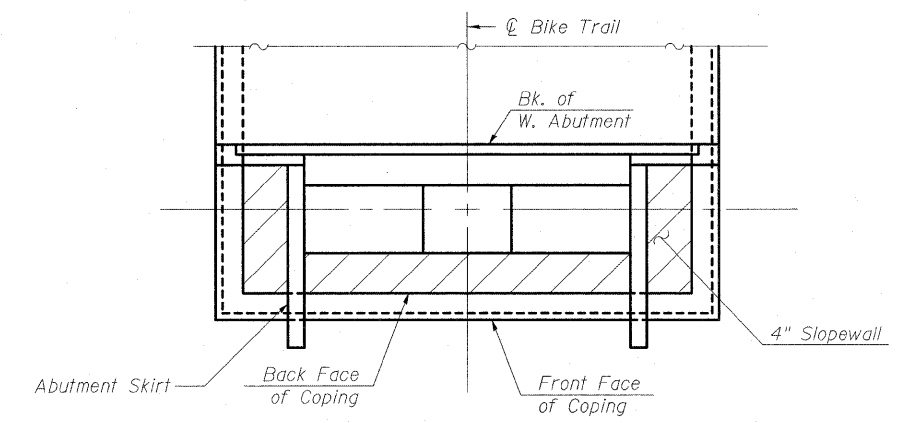
**SECTION C-C  
THRU MSE WALL & BIKE TRAIL**  
Sta. 25+11.75 to Sta. 25+34.89



**SECTION D-D  
THRU MSE WALL & BIKE TRAIL**  
Soil Reinforcement shall be lapped as shown in Section C-C. The reinforcement shall not be attached to the back face of both panels.



**SECTION THRU PILE SUPPORTED  
STUB ABUTMENT**



**WEST ABUTMENT  
SLOPEWALL LAYOUT**

Notes:  
The MSE Wall supplier's internal stability design shall account for the anchor slab's bearing pressure surcharge of 1.0 Ksf and horizontal sliding force of 0.5 Kips/ft. of wall.  
The MSE Wall supplier's internal stability design shall account for the abutment's horizontal sliding force of 2.0 Kips/ft. of abutment length and a soil surcharge force of 1.0 Kips/ft. of abutment length.  
Slope wall shall be reinforced with welded wire fabric, 6" x 6" - W4.0 x W4.0, weighing 58 lbs. per 100 sq. ft.