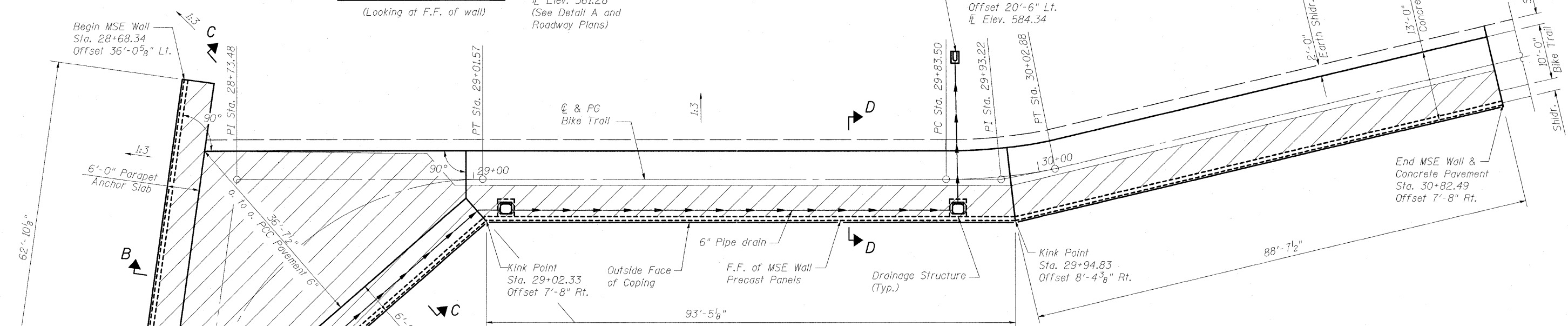


MSE WALL ELEVATION

(Looking at F.F. of wall)



MSE WALL PLAN

**EAST APPROACH MSE WALL
ADDITIONAL ELEVATIONS**

Station	Offset to Face of Panel	LT/RT	Elevation at Bottom of Coping	Station	Offset to Face of Panel	LT/RT	Elevation at Bottom of Coping
28+68.34	36.05	LT	589.75	28+83.59	16.44	RT	588.07
28+57.94	23.10	LT	589.96	29+02.33	7.67	RT	587.42
28+43.98	14.50	LT	590.06	29+21.01	7.67	RT	586.65
28+26.85	12.00	LT	590.68	29+39.70	7.67	RT	586.05
28+26.85	12.00	LT	584.14	29+58.38	7.67	RT	585.65
28+18.52	12.00	LT	584.14	29+77.07	7.67	RT	585.47
28+18.52	12.00	RT	584.14	29+94.83	8.36	RT	585.48
28+26.85	12.00	RT	584.14	30+16.02	7.67	RT	585.66
28+26.85	12.00	RT	590.68	30+38.18	7.67	RT	586.11
28+35.70	11.84	RT	590.29	30+60.33	7.67	RT	586.70
28+57.98	18.15	RT	589.16	30+82.49	7.67	RT	587.30

Notes:
 See sheet 2 of 46 for Fitted Rock Pattern Panel Detail.
 Wall offsets are measured from the ϕ & PG Bike Trail to the front face of the Precast Panels.
 F.F. indicates front face.
 See sheet 32 of 46 for Sections A-A, B-B, C-C and D-D.
 See sheet 34 of 46 for Anchor Slab and Coping Details.
 See sheets 38 and 40 of 46 for Drainage Details.
 See sheets 36 and 37 of 46 for Ornamental Fence Details.
 Parapet not shown in Plan view for Clarity.
 See sheet 34 of 46 for Parapet Details.
 For Embankment Berm see Roadway Plans.
 For Detail A see sheet 26 of 46.

Indicates Approximate Limits of Reinforced Soil Mass.