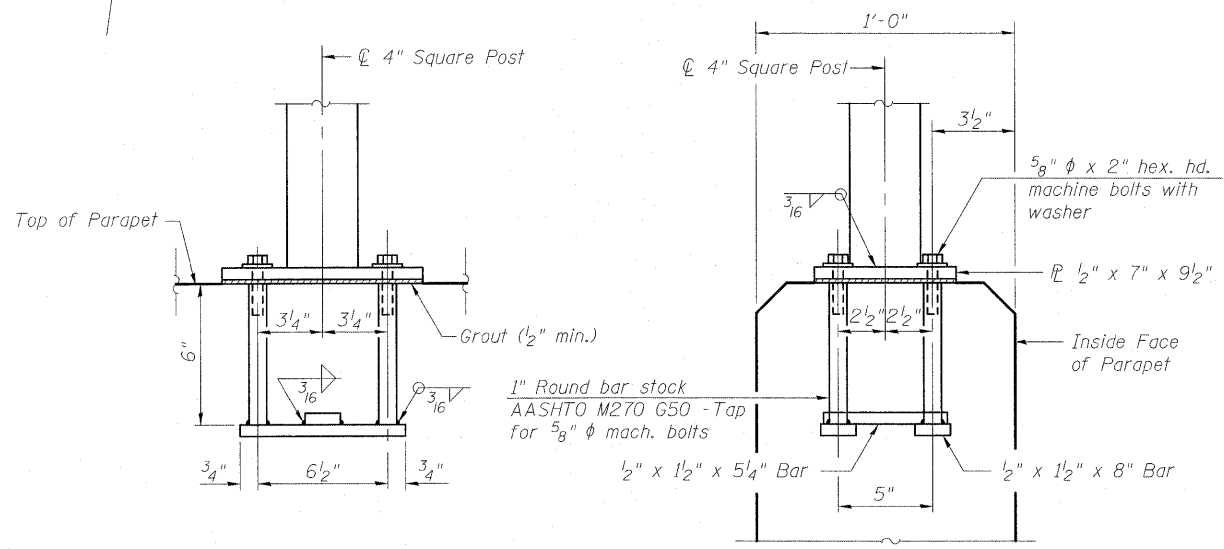
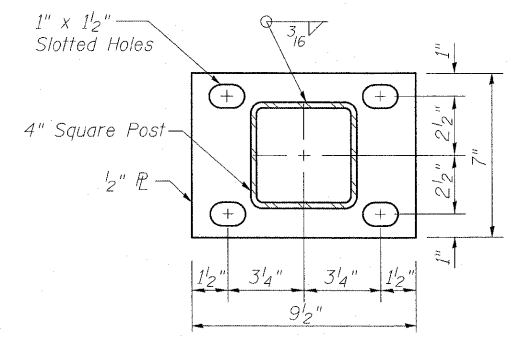


**EAST APPROACH
ORNAMENTAL FENCE PLAN**



ANCHOR BOLT DETAILS

In lieu of the cast-in-place anchor device shown, the Contractor has the option of drilling and setting 5/8" φ anchor rods according to Article 509.06 of the Standard Specifications. Embedment shall be according to the manufacturer's specifications.



SECTION A-A

Notes:
See sheet 36 of 46 for typical fence section.
See sheet 36 of 46 for Detail A.

**EAST APPROACH
BILL OF MATERIAL**

ITEM	UNIT	TOTAL
Ornamental Fence	Foot	302