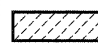


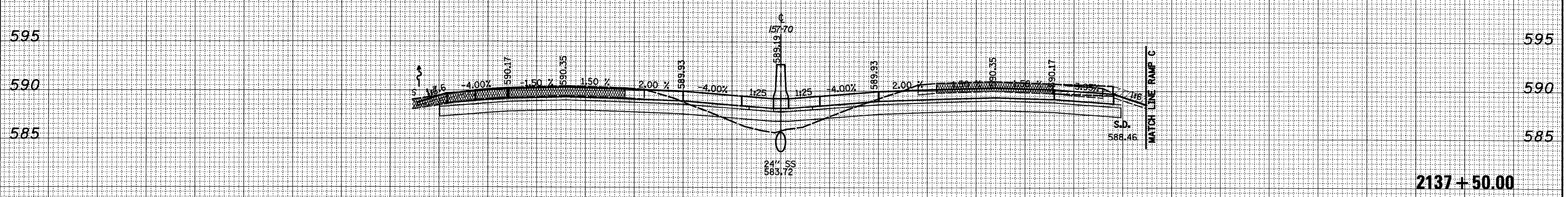
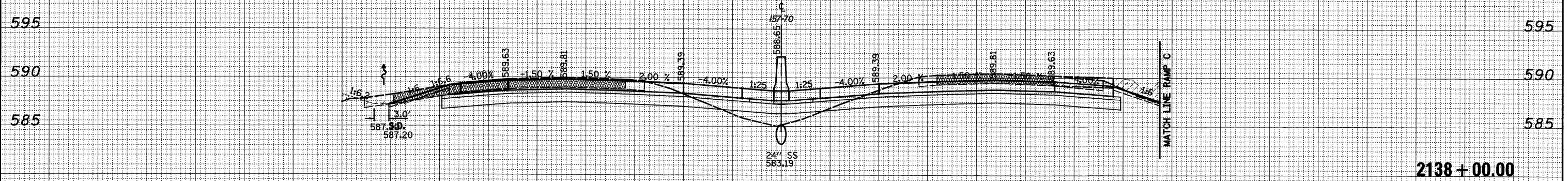
FINAL SURVEY	SURVEYED	DATE
NOTE BOOK	PLOTTED	BY
NO.	TEMPLATE	
	AREAS	
	CHECKED	

ORIGINAL SURVEY	SURVEYED	DATE
NOTE BOOK	PLOTTED	BY
NO.	TEMPLATE	
	AREAS	
	CHECKED	

150 140 130 120 110 100 90 80 70 60 50 40 30 20 10 0 10 20 30 40 50 60 70 80 90 100 110 120 130 140 150

LEGEND

 - GRADING BY OTHERS



FILE NAME =	USER NAME = #USER#	DESIGNED - JWS	REVISED -	STATE OF ILLINOIS DEPARTMENT OF TRANSPORTATION	CROSS SECTIONS FAI 57/70		F.A.I. RTE.	SECTION	COUNTY	TOTAL SHEETS	SHEET NO.
#118	PLOT SCALE = #SCALE#	DRAWN - LEC	REVISED -		57/70	(25-3,4)R	EFFINGHAM	1098	450		
PLOT DATE = #DATE#	DATE - 4-01-08	CHECKED - BRM	REVISED -		SCALE: 1"=10'	SHEET NO. 24 OF 199 SHEETS	STA. 2137+50.00 TO STA. 2138+00.00	FED. ROAD DIST. NO.	ILLINOIS FED. AID PROJECT	CONTRACT NO. 74299	
		DATE - 4-01-08	REVISED -								