


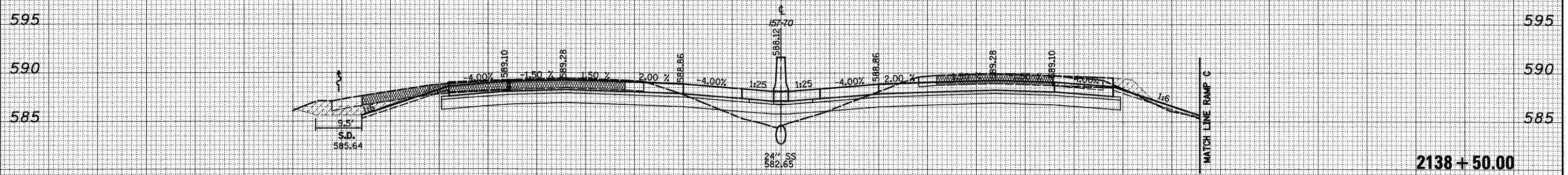
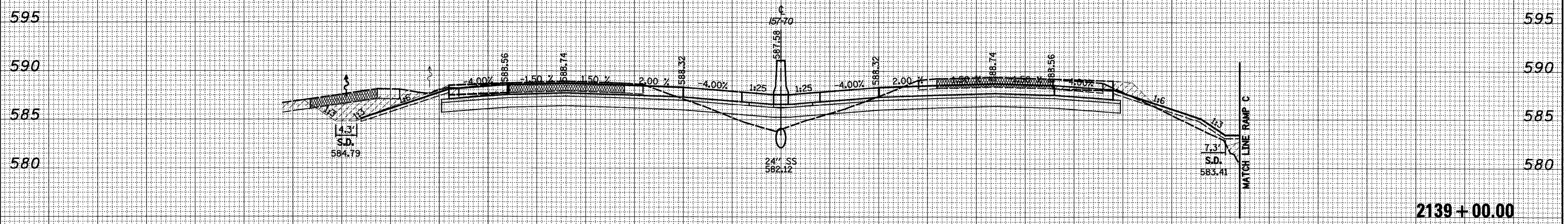
DATE	
BY	
FINAL SURVEY	SURVEYED
NOTE BOOK	PLOTTED
NO.	TEMPLATE
	AREAS CHECKED

DATE	
BY	
ORIGINAL SURVEY	SURVEYED
NOTE BOOK	PLOTTED
NO.	TEMPLATE
	AREAS CHECKED

150 140 130 120 110 100 90 80 70 60 50 40 30 20 10 0 10 20 30 40 50 60 70 80 90 100 110 120 130 140 150

LEGEND

 - GRADING BY OTHERS



150 140 130 120 110 100 90 80 70 60 50 40 30 20 10 0 10 20 30 40 50 60 70 80 90 100 110 120 130 140 150

FILE NAME =	USER NAME = #USER#	DESIGNED - JWS	REVISED -	STATE OF ILLINOIS DEPARTMENT OF TRANSPORTATION	CROSS SECTIONS FAI 57/70		F.A.I. RTE. 57/70	SECTION (25-3,4)R	COUNTY EFFINGHAM	TOTAL SHEETS 1098	SHEET NO. 452	
#18	PLOT SCALE = #SCALE#	DRAWN - LEC	REVISED -		SCALE: 1"=10'	SHEET NO. 26 OF 199 SHEETS	STA. 2138+50.00 TO STA. 2139+00.00	CONTRACT NO. 74299				
	PLOT DATE = #DATE#	CHECKED - BRM	REVISED -		FED. ROAD DIST. NO. ILLINOIS FED. AID PROJECT							
		DATE - 4-01-08	REVISED -									