
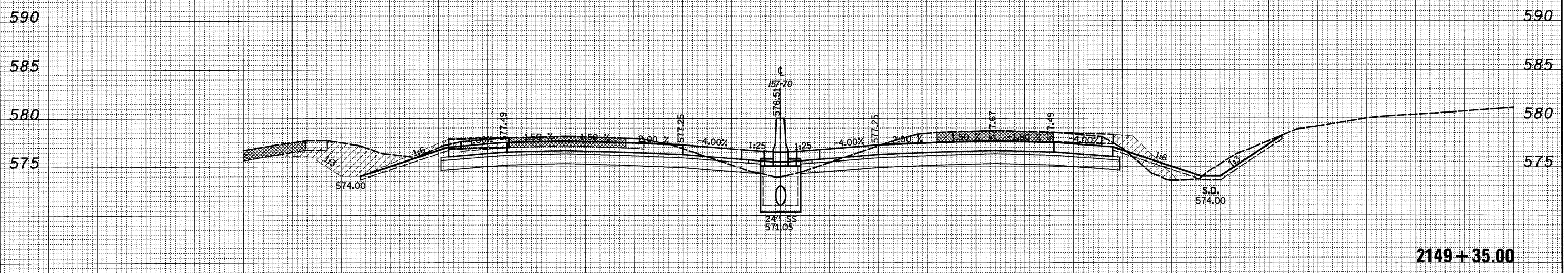
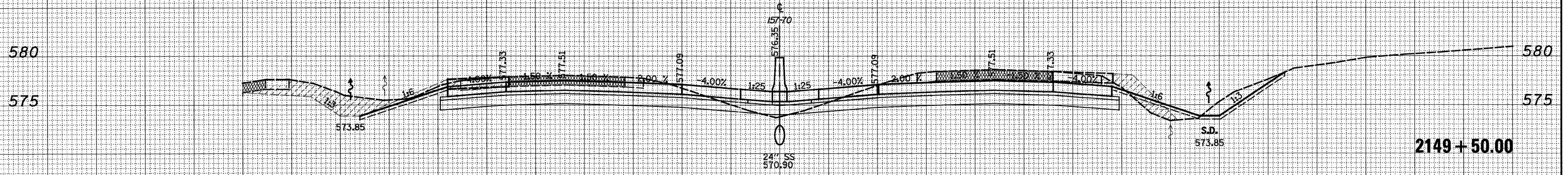


150 140 130 120 110 100 90 80

LEGEND

 - GRADING BY OTHERS

DATE	
BY	
SURVEYED	
PLOTTED	
TEMPLATE	
AREAS CHECKED	



150 140 130 120 110 100 90 80 70 60 50 40 30 20 10 0 10 20 30 40 50 60 70 80 90 100 110 120 130 140 150

FILE NAME =	USER NAME = #USER#	DESIGNED - JWS	REVISED -	STATE OF ILLINOIS DEPARTMENT OF TRANSPORTATION	CROSS SECTIONS FAI 57/70			F.A.I. RTE.	SECTION	COUNTY	TOTAL SHEETS	SHEET NO.
#LID	PLOT SCALE = #SCALE#	DRAWN - LEC	REVISED -		57/70	(25-3,4)R	EFFINGHAM	1098	467			
	PLOT DATE = #DATE#	CHECKED - BRM	REVISED -		SCALE: 1"=10' SHEET NO. 41 OF 199 SHEETS STA. 2149+35.00 TO STA. 2149+50.00			CONTRACT NO. 74299				
		DATE - 4-01-08	REVISED -		FED. ROAD DIST. NO. ILLINOIS FED. AID PROJECT							