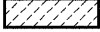
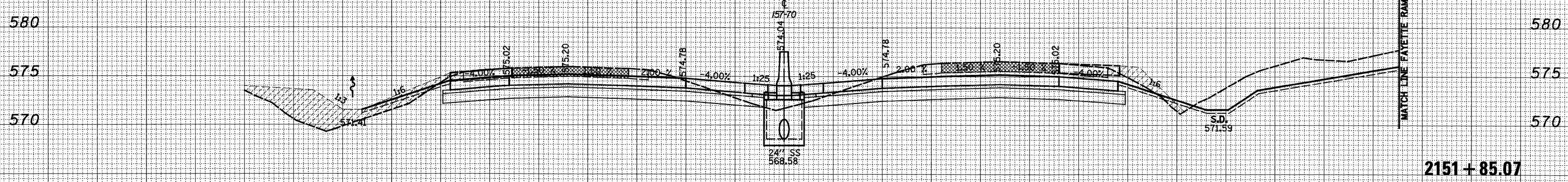


150 140 130 120 110 100 90 80 70 60 50 40 30 20 10 0 10 20 30 40 50 60 70 80 90 100 110 120 130 140 150

**LEGEND**  
 - GRADING BY OTHERS

BY	DATE
FINAL SURVEY	SURVEYED
NOTE BOOK NO.	PLOTTED
	TEMPLATE
	AREAS CHECKED

BY	DATE
ORIGINAL SURVEY	SURVEYED
NOTE BOOK NO.	PLOTTED
	TEMPLATE
	AREAS CHECKED



2151+85.07

150 140 130 120 110 100 90 80 70 60 50 40 30 20 10 0 10 20 30 40 50 60 70 80 90 100 110 120 130 140 150

FILE NAME =	USER NAME = *USER*	DESIGNED - JWS	REVISED -	<b>STATE OF ILLINOIS DEPARTMENT OF TRANSPORTATION</b>	<b>CROSS SECTIONS FAI 57/70</b>	F.A.I. RTE. 57/70	SECTION (25-3,4)R	COUNTY EFFINGHAM	TOTAL SHEETS 1098	SHEET NO. 470	
#119	PLOT SCALE = *SCALE*	DRAWN - LEC	REVISED -			SCALE: 1"=10'		SHEET NO. 44 OF 199 SHEETS		STA. 2151+85.07 TO STA. 2151+85.07	
	PLOT DATE = *DATE*	CHECKED - BRM	REVISED -			FED. ROAD DIST. NO.		ILLINOIS FED. AID PROJECT		CONTRACT NO. 74299	
		DATE - 4-01-08	REVISED -								