


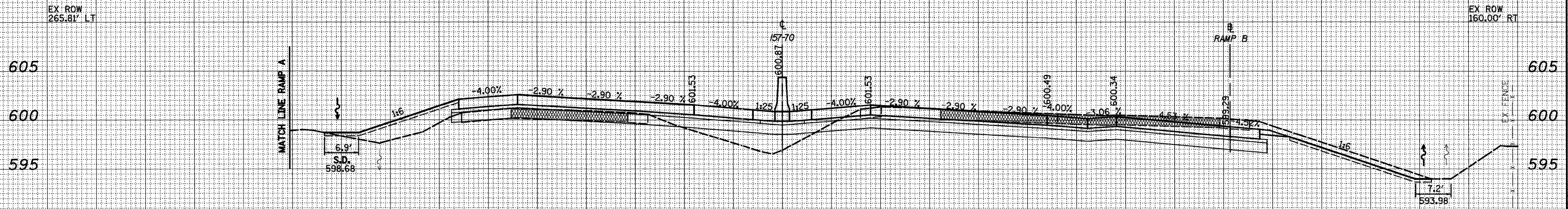
150 140 130 120 110 100 90 80 70 60 50 40 30 20 10 0 10 20 30 40 50 60 70 80 90 100 110 120 130 140 150

LEGEND

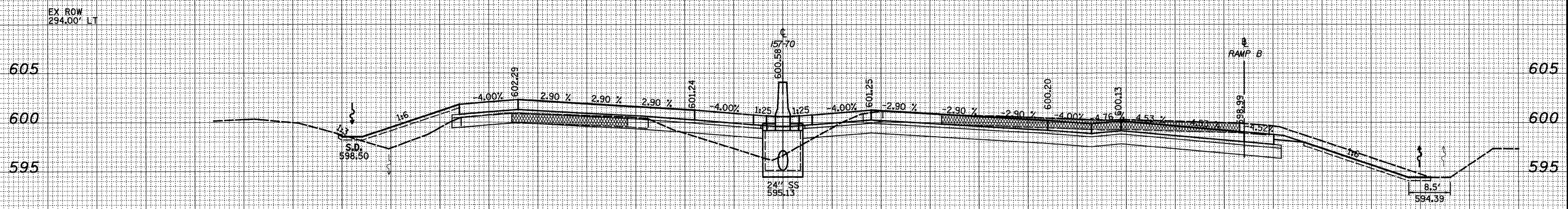
 - GRADING BY OTHERS

DATE	
BY	
FINAL SURVEY	SURVEYED
NOTE BOOK NO.	PLOTTED
	TEMPLATE
	AREAS CHECKED

DATE	
BY	
ORIGINAL SURVEY	SURVEYED
NOTE BOOK NO.	PLOTTED
	TEMPLATE
	AREAS CHECKED



2212 + 50.00



2212 + 00.00

150 140 130 120 110 100 90 80 70 60 50 40 30 20 10 0 10 20 30 40 50 60 70 80 90 100 110 120 130 140 150

FILE NAME =
#118

USER NAME = #USER#
PLOT SCALE = #SCALE#
PLOT DATE = #DATE#

DESIGNED - JWS
DRAWN - LEC
CHECKED - BRM
DATE - 4-01-08

REVISED -
REVISED -
REVISED -
REVISED -

**STATE OF ILLINOIS
DEPARTMENT OF TRANSPORTATION**

CROSS SECTIONS FAI 57/70
SCALE: 1"=10'
SHEET NO. 140 OF 199 SHEETS
STA. 2212+00.00 TO STA. 2212+50.00

F.A.I. RTE. 57/70	SECTION (25-3,4R)	COUNTY EFFINGHAM	TOTAL SHEETS 1098	SHEET NO. 566
FED. ROAD DIST. NO. ILLINOIS FED. AID PROJECT				
CONTRACT NO. 74299				