
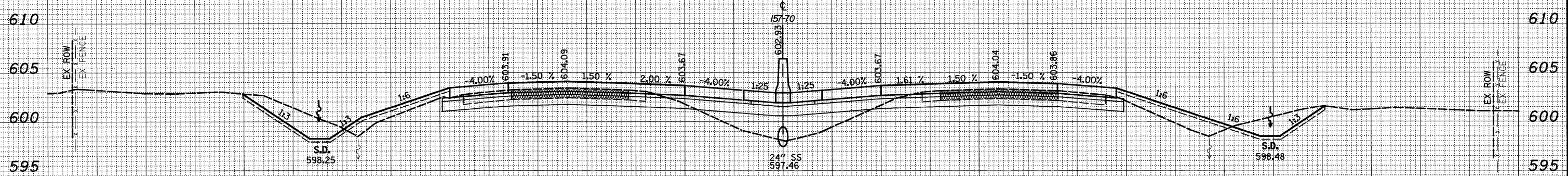


150 140 130 120 110 100 90 80 70 60 50 40 30 20 10 0 10 20 30 40 50 60 70 80 90 100 110 120 130 140 150

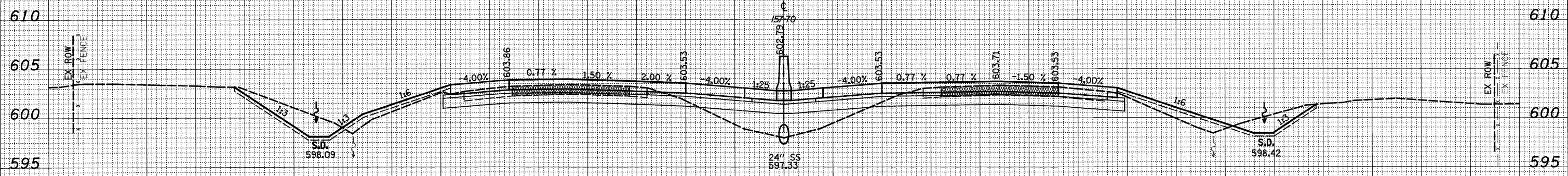
**LEGEND**  
 - GRADING BY OTHERS

DATE	
BY	
SURVEYED	
PLOTTED	
TEMPLATE	
NOTE BOOK	
AREAS CHECKED	
NO.	



**2257 + 50.00**

DATE	
BY	
SURVEYED	
PLOTTED	
TEMPLATE	
NOTE BOOK	
AREAS CHECKED	
NO.	



**2257 + 00.00**

FILE NAME =	USER NAME = #USER#	DESIGNED - JWS	REVISED -	<b>STATE OF ILLINOIS DEPARTMENT OF TRANSPORTATION</b>	<b>CROSS SECTIONS FAI 57/70</b>			F.A.I. RTE. 57/70	SECTION (25-3,4R)	COUNTY EFFINGHAM	TOTAL SHEETS 1098	SHEET NO. 612
#118	PLOT SCALE = #SCALE#	DRAWN - LEC	REVISED -		SCALE: 1"=10'	SHEET NO. 186 OF 199 SHEETS	STA. 2257+00.00 TO STA. 2257+50.00	CONTRACT NO. 74299				
	PLOT DATE = #DATE#	CHECKED - BRM	REVISED -		FED. ROAD DIST. NO. ILLINOIS FED. AID PROJECT							
		DATE - 4-01-08	REVISED -									