


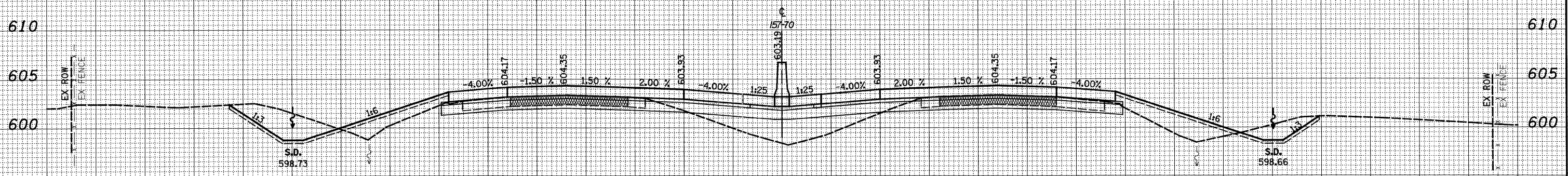
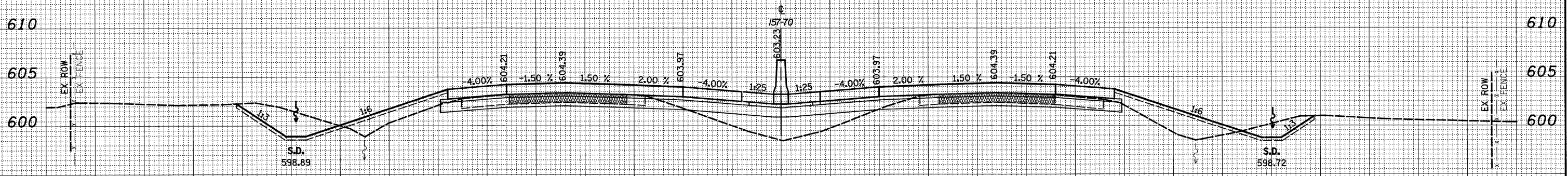
150 140 130 120 110 100 90 80 70 60 50 40 30 20 10 0 10 20 30 40 50 60 70 80 90 100 110 120 130 140 150

**LEGEND**

 - GRADING BY OTHERS

DATE	BY
SURVEYED	PLOTTED
NOTE BOOK	AREAS CHECKED

DATE	BY
ORIGINAL SURVEY	PLOTTED
NOTE BOOK	AREAS CHECKED



150 140 130 120 110 100 90 80 70 60 50 40 30 20 10 0 10 20 30 40 50 60 70 80 90 100 110 120 130 140 150

FILE NAME =	USER NAME = *USER*	DESIGNED - JWS	REVISED -	<b>STATE OF ILLINOIS</b> <b>DEPARTMENT OF TRANSPORTATION</b>	<b>CROSS SECTIONS FAI 57/70</b>		F.A.I. RTE.	SECTION	COUNTY	TOTAL SHEETS	SHEET NO.
#128		DRAWN - LEC	REVISED -		57/70	(25-3,4)R	EFFINGHAM	1098	614		
	PLOT SCALE = *SCALE*	CHECKED - BRM	REVISED -		SCALE: 1"=10'		SHEET NO. 188 OF 199 SHEETS		CONTRACT NO. 74299		
	PLOT DATE = *DATE*	DATE - 4-01-08	REVISED -		STA. 2259+00.00 TO STA. 2259+50.00		FED. ROAD DIST. NO. (ILLINOIS) FED. AID PROJECT				