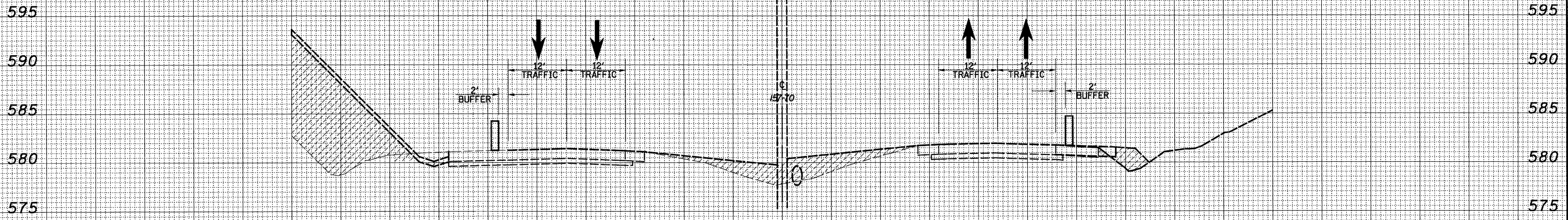


150 140 130 120 110 100 90 80 70 60 50 40 30 20 10 0 10 20 30 40 50 60 70 80 90 100 110 120 130 140 150

**LEGEND**

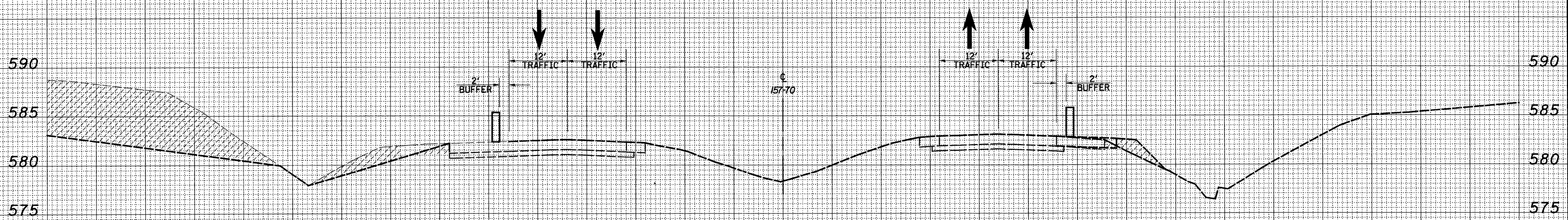
- TEMPORARY PCC PAVEMENT
- REMOVAL
- DRUM
- TEMPORARY CONCRETE BARRIER
- DIRECTION OF TRAFFIC

|               |               |
|---------------|---------------|
| DATE          |               |
| BY            |               |
| FINAL SURVEY  | SURVEYED      |
| NOTE BOOK NO. | PLOTTED       |
|               | TEMPLATE      |
|               | AREAS CHECKED |



CUT=0 FILL=0 2146+00.00

|                 |               |
|-----------------|---------------|
| DATE            |               |
| BY              |               |
| ORIGINAL SURVEY | SURVEYED      |
| NOTE BOOK NO.   | PLOTTED       |
|                 | TEMPLATE      |
|                 | AREAS CHECKED |



CUT=0 FILL=0 2145+00.00

150 140 130 120 110 100 90 80 70 60 50 40 30 20 10 0 10 20 30 40 50 60 70 80 90 100 110 120 130 140 150