






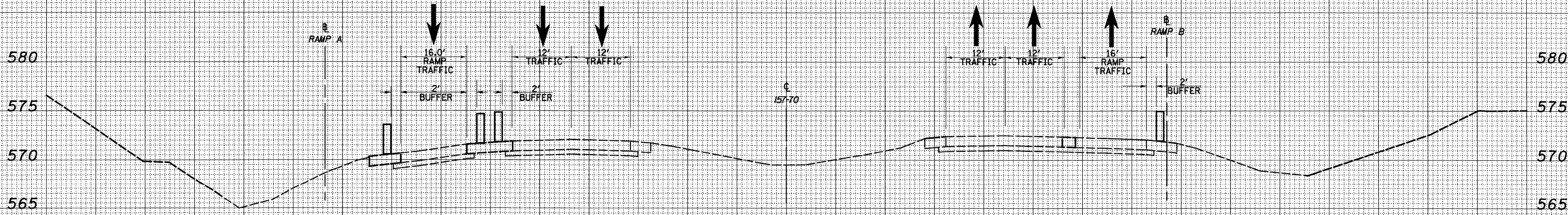
150 140 130 120 110 100 90 80 70 60 50 40 30 20 10 0 10 20 30 40 50 60 70 80 90 100 110 120 130 140 150

**LEGEND**

-  - TEMPORARY PCC PAVEMENT
-  - REMOVAL
-  - DRUM
-  - TEMPORARY CONCRETE BARRIER
-  - DIRECTION OF TRAFFIC

DATE	
BY	
FINISHED SURVEY	
SURVEYED	
NOTED	
NO.	

DATE	
BY	
ORIGINAL SURVEY	
SURVEYED	
NOTED	
NO.	



CUT=0 FILL=0

2158+00.00

150 140 130 120 110 100 90 80 70 60 50 40 30 20 10 0 10 20 30 40 50 60 70 80 90 100 110 120 130 140 150

FILE NAME = S:\Projects\103\103-71\103-71.dwg  
 USER NAME = bseibe1

DESIGNED - JWS  
 DRAWN - LEC  
 CHECKED - BRM  
 DATE - 4-01-08

REVISI -  
 REVISI -  
 REVISI -  
 REVISI -

**STATE OF ILLINOIS  
 DEPARTMENT OF TRANSPORTATION**

**MAINTENANCE OF TRAFFIC - 157/70 (PRE-STAGE 1)**

SCALE: 1"=10' SHEET NO. 21 OF 94 SHEETS STA. 2158+00.00 TO STA. 2158+00.00

F.A.I. RTE. 57/70	SECTION (25-3,4)R	COUNTY EFFINGHAM	TOTAL SHEETS 1098	SHEET NO. 731
CONTRACT NO. 74299				
FED. ROAD DIST. NO. [ILLINOIS] FED. AID PROJECT				