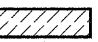
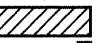



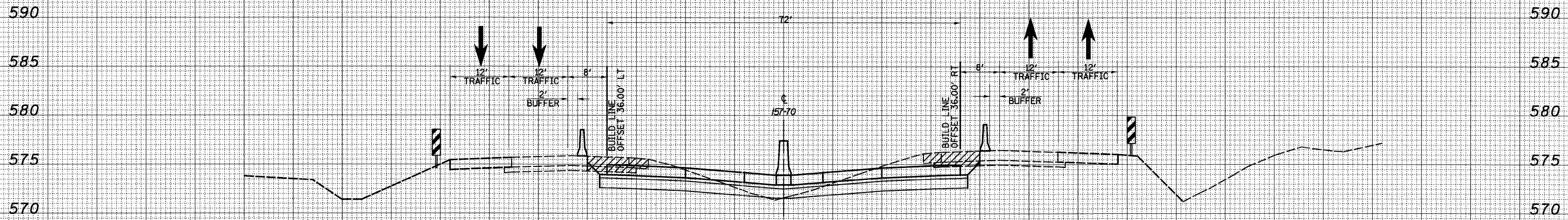


150 140 130 120 110 100 90 80 70 60 50 40 30 20 10 0 10 20 30 40 50 60 70 80 90 100 110 120 130 140 150

LEGEND

-  - TEMPORARY PCC PAVEMENT
-  - REMOVAL
-  - DRUM
-  - TEMPORARY CONCRETE BARRIER
-  - DIRECTION OF TRAFFIC

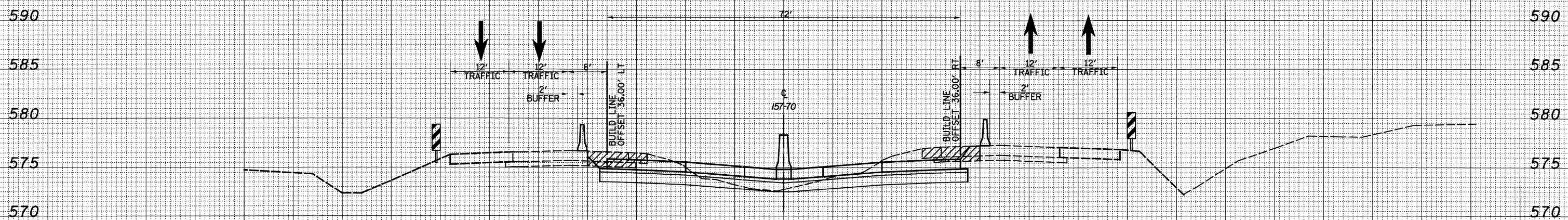
DATE	
BY	
FINAL SURVEY	
SURVEYED	
PLOTTED	
TEMPLATE	
NOTE BOOK	
NO.	
AREAS CHECKED	



CUT=72 FILL=13

2152 + 00.00

DATE	
BY	
ORIGINAL SURVEY	
SURVEYED	
PLOTTED	
TEMPLATE	
NOTE BOOK	
NO.	
AREAS CHECKED	



CUT=60 FILL=17

2151 + 00.00

150 140 130 120 110 100 90 80 70 60 50 40 30 20 10 0 10 20 30 40 50 60 70 80 90 100 110 120 130 140 150

FILE NAME =	USER NAME = bseibol	DESIGNED - JWS	REVISED -	STATE OF ILLINOIS DEPARTMENT OF TRANSPORTATION	MAINTENANCE OF TRAFFIC - I57/70 (STAGE 1)		F.A.I. RTE.	SECTION	COUNTY	TOTAL SHEETS	SHEET NO.
S:\Projects\403-00072-57-70\dgn\ML_Keller\kshatt_nahm01_S.dgn		DRAWN - LEC	REVISED -		57/70	(25-3,4)R	EFFINGHAM	1098	821		
PLOT SCALE = 20.0000' / IN.		CHECKED - BRM	REVISED -		SCALE: 1"=10' SHEET NO. 17 OF 91 SHEETS STA. 2151+00.00 TO STA. 2152+00.00		FED. ROAD DIST. NO.		ILLINOIS FED. AID PROJECT		
PLOT DATE = 3/11/2011		DATE - 4-01-08	REVISED -				CONTRACT NO. 74299				