

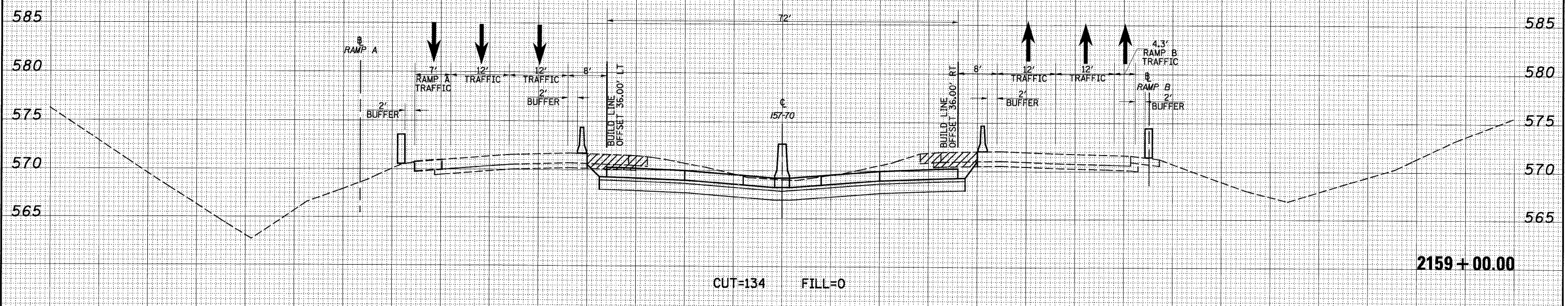
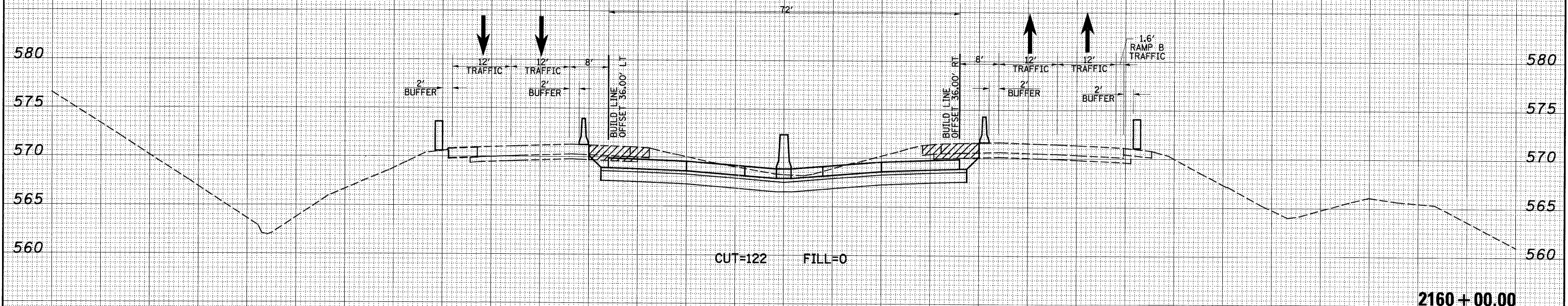
DATE	
BY	
SURVEYED	
PLotted	
NOTE BOOK	
AREAS CHECKED	

DATE	
BY	
ORIGINAL SURVEY	
TEMPLATE	
NOTE BOOK	
AREAS CHECKED	

150 140 130 120 110 100 90 80 70 60 50 40 30 20 10 0 10 20 30 40 50 60 70 80 90 100 110 120 130 140 150

LEGEND

- TEMPORARY PCC PAVEMENT
- REMOVAL
- DRUM
- TEMPORARY CONCRETE BARRIER
- DIRECTION OF TRAFFIC



150 140 130 120 110 100 90 80 70 60 50 40 30 20 10 0 10 20 30 40 50 60 70 80 90 100 110 120 130 140 150

FILE NAME	
FILE	

USER NAME	= *USER*
PLOT SCALE	= *SCALE*
PLOT DATE	= *DATE*

DESIGNED	- JWS
DRAWN	- LEC
CHECKED	- BRM
DATE	- 4-01-08

REVISED	-
REVISED	-
REVISED	-
REVISED	-

**STATE OF ILLINOIS
DEPARTMENT OF TRANSPORTATION**

MAINTENANCE OF TRAFFIC - 157/70 (STAGE 1)

SCALE: 1"=10' SHEET NO. 22 OF 91 SHEETS STA. 2159+00.00 TO STA. 2160+00.00

F.A.I. RTE.	SECTION	COUNTY	TOTAL SHEETS	SHEET NO.
57/70	(25-3,4)R	EFFINGHAM	1098	826
CONTRACT NO. 74299				
FED. ROAD DIST. NO. ILLINOIS FED. AID PROJECT				