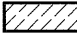

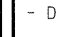


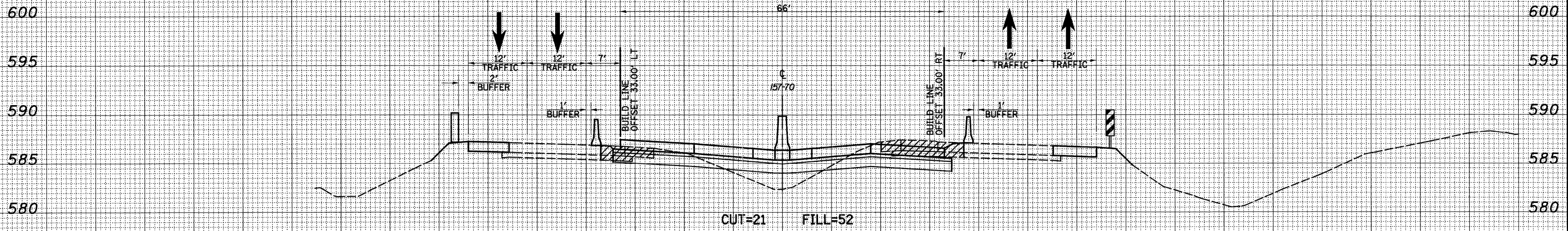


150 140 130 120 110 100 90 80 70 60 50 40 30 20 10 0 10 20 30 40 50 60 70 80 90 100 110 120 130 140 150

LEGEND

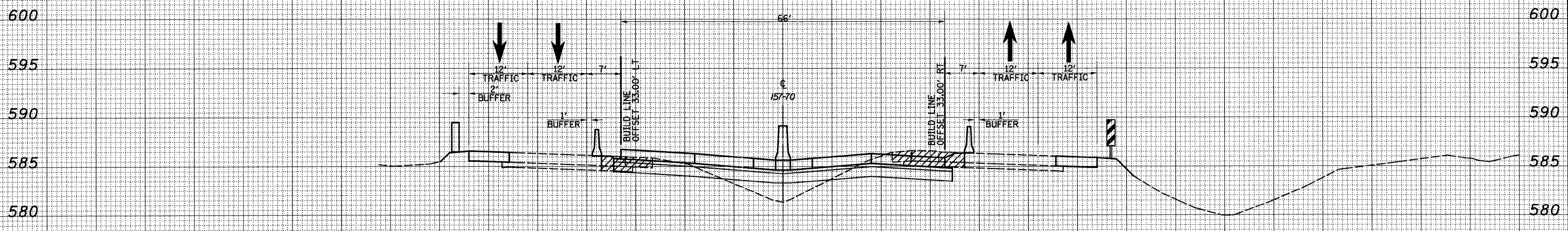
-  - TEMPORARY PCC PAVEMENT
-  - REMOVAL
-  - DRUM
-  - TEMPORARY CONCRETE BARRIER
-  - DIRECTION OF TRAFFIC

DATE	
BY	
FINAL SURVEY	
SURVEYED	
PLOTTED	
TEMPLATE	
NOTE BOOK	
NO.	
AREAS CHECKED	



2194+00.00

DATE	
BY	
ORIGINAL SURVEY	
SURVEYED	
PLOTTED	
TEMPLATE	
NOTE BOOK	
NO.	
AREAS CHECKED	



2193+00.00

150 140 130 120 110 100 90 80 70 60 50 40 30 20 10 0 10 20 30 40 50 60 70 80 90 100 110 120 130 140 150

FILE NAME -	USER NAME = bseibal	DESIGNED - JWS	REVISED -	STATE OF ILLINOIS DEPARTMENT OF TRANSPORTATION	MAINTENANCE OF TRAFFIC - I57/70 (STAGE 1)	F.A.I. RTE.	SECTION	COUNTY	TOTAL SHEETS	SHEET NO.	
S:\Projects\403-00072-57-70\dgn\m_keller\sssh\m01.dgn		DRAWN - LEC	REVISED -			57/70	(25-3,4R)	EFFINGHAM	1098	851	
PLOT SCALE = 20.0000' / IN.		CHECKED - BRM	REVISED -			SCALE: 1"=10'		SHEET NO. 47 OF 91 SHEETS		STA. 2193+00.00 TO STA. 2194+00.00	
PLOT DATE = 3/11/2011		DATE - 4-01-08	REVISED -			FED. ROAD DIST. NO.		ILLINOIS FED. AID PROJECT		CONTRACT NO. 74299	