
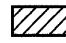





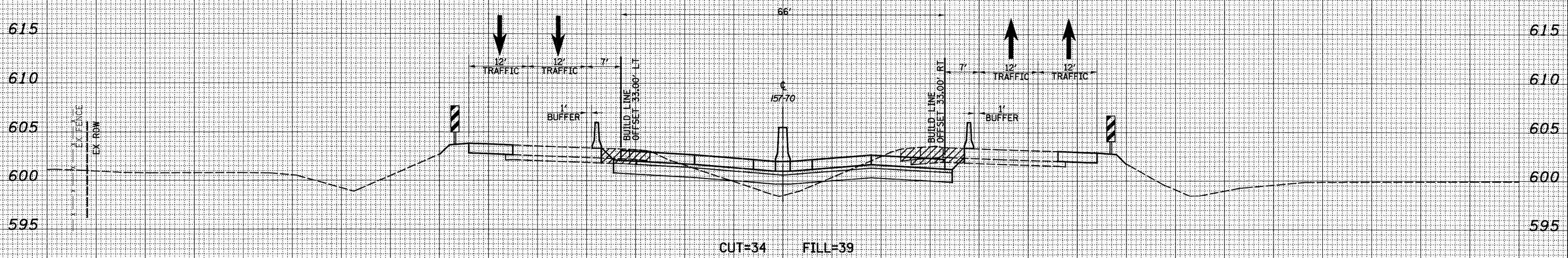
DATE	
BY	
FINAL SURVEI	SURVEYED
NOTE BOOK	PLOTTED
NO.	TEMPLATE
	AREAS CHECKED

DATE	
BY	
ORIGINAL SURVEI	SURVEYED
NOTE BOOK	PLOTTED
NO.	TEMPLATE
	AREAS CHECKED

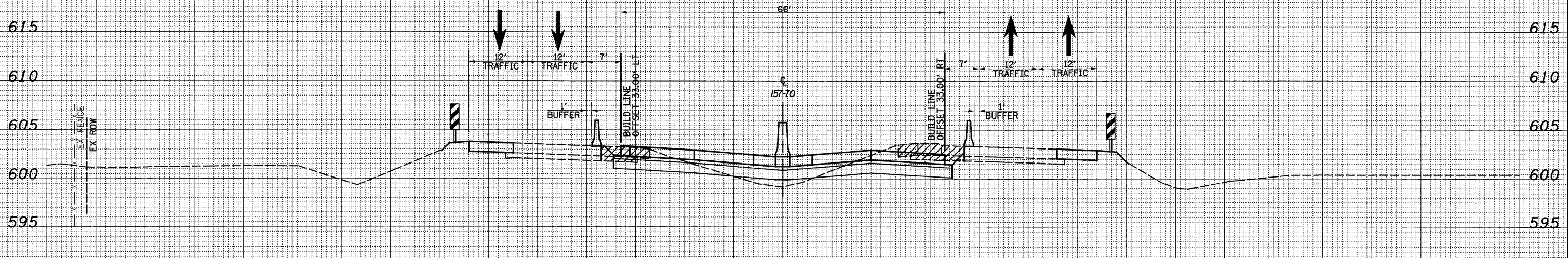
150 140 130 120 110 100 90 80 70 60 50 40 30 20 10 0 10 20 30 40 50 60 70 80 90 100 110 120 130 140 150

**LEGEND**

-  - TEMPORARY PCC PAVEMENT
-  - REMOVAL
-  - DRUM
-  - TEMPORARY CONCRETE BARRIER
-  - DIRECTION OF TRAFFIC



2232 + 00.00



2231 + 00.00

150 140 130 120 110 100 90 80 70 60 50 40 30 20 10 0 10 20 30 40 50 60 70 80 90 100 110 120 130 140 150

FILE NAME =	USER NAME = bseibel	DESIGNED - JWS	REVISED -	<b>STATE OF ILLINOIS</b> <b>DEPARTMENT OF TRANSPORTATION</b>	<b>MAINTENANCE OF TRAFFIC - 157/70 (STAGE 1)</b>	F.A.I. RTE.	SECTION	COUNTY	TOTAL SHEETS	SHEET NO.	
S:\Projects\403-00072-51-70\ogn\m_keller\ssah1_mtr\MOT_Sl.dgn		DRAWN - LEC	REVISED -			57/70	(25-3,4R)	EFFINGHAM	1098	871	
PLOT SCALE = 20,00000' / IN.		CHECKED - BRM	REVISED -			SCALE: 1"=10'		SHEET NO. 67 OF 91 SHEETS		STA. 2231+00.00 TO STA. 2232+00.00	
PLOT DATE = 3/11/2011		DATE - 4-01-08	REVISED -			FED. ROAD DIST. NO. ILLINOIS FED. AID PROJECT					
CONTRACT NO. 74299											