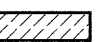




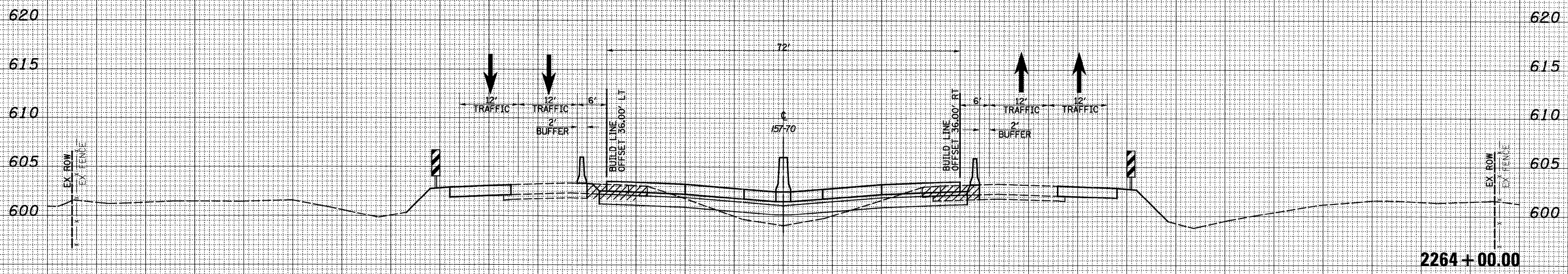


150 140 130 120 110 100 90 80 70 60 50 40 30 20 10 0 10 20 30 40 50 60 70 80 90 100 110 120 130 140 150

LEGEND

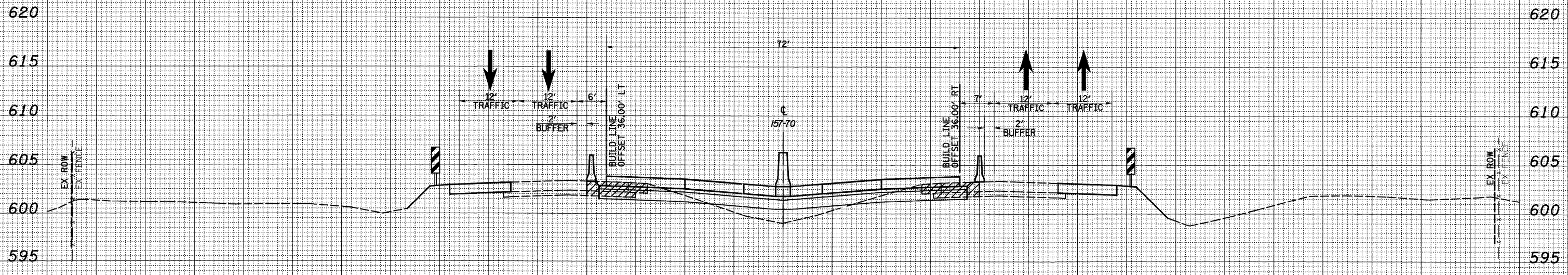
-  - TEMPORARY PCC PAVEMENT
-  - REMOVAL
-  - DRUM
-  - TEMPORARY CONCRETE BARRIER
-  - DIRECTION OF TRAFFIC

DATE	
BY	
FINAL SURVEY	
PLOTTED	
NOTE BOOK	
AREAS CHECKED	
NO.	



CUT=6 FILL=58

DATE	
BY	
ORIGINAL SURVEY	
PLOTTED	
NOTE BOOK	
AREAS CHECKED	
NO.	



CUT=4 FILL=70

150 140 130 120 110 100 90 80 70 60 50 40 30 20 10 0 10 20 30 40 50 60 70 80 90 100 110 120 130 140 150

FILE NAME =	USER NAME = bseibel	DESIGNED - JWS	REVISED -	MAINTENANCE OF TRAFFIC - 157/70 (STAGE 1) SCALE: 1"=10' SHEET NO. 83 OF 91 SHEETS STA. 2263+00.00 TO STA. 2264+00.00	F.A.I. SECTION COUNTY TOTAL SHEETS SHEET NO. 57/70 (25-3,4)R EFFINGHAM 1098 887 CONTRACT NO. 74299
S:\Projects\403-00072-57-70\dgn\ML_keller\kshst_mol\M0T_3.dgn	PLOT SCALE = 20,0000' / IN.	DRAWN - LEC	REVISED -		
PLOT DATE = 3/11/2011	DATE - 4-01-08	CHECKED - BRM	REVISED -		
		REVISOR -	REVISED -		