




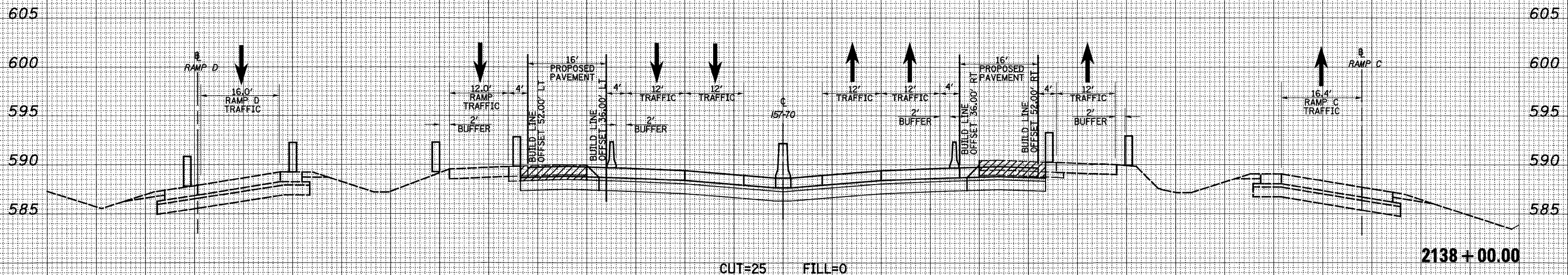


150 140 130 120 110 100 90 80 70 60 50 40 30 20 10 0 10 20 30 40 50 60 70 80 90 100 110 120 130 140 150

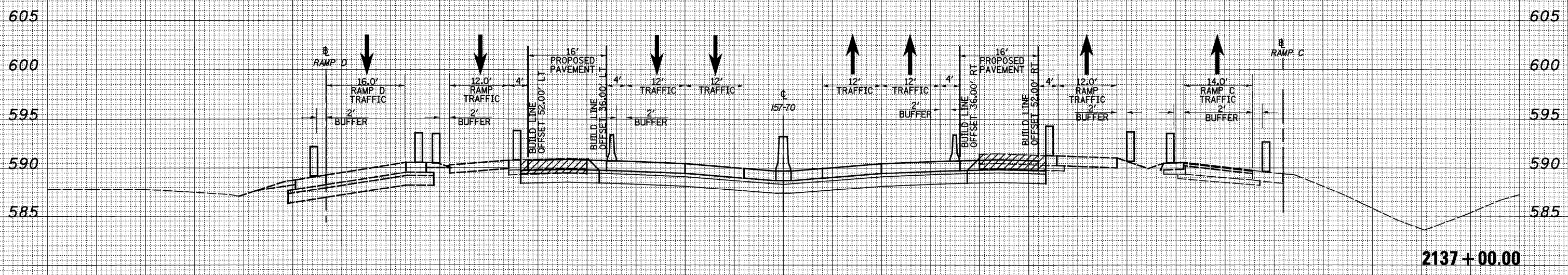
**LEGEND**

-  - TEMPORARY PCC PAVEMENT
-  - REMOVAL
-  - DRUM
-  - TEMPORARY CONCRETE BARRIER
-  - DIRECTION OF TRAFFIC

DATE	
BY	
SURVEYED	
PLOTTED	
TEMPLATE	
AREAS CHECKED	
NO.	



DATE	
BY	
SURVEYED	
PLOTTED	
TEMPLATE	
AREAS CHECKED	
NO.	



150 140 130 120 110 100 90 80 70 60 50 40 30 20 10 0 10 20 30 40 50 60 70 80 90 100 110 120 130 140 150

FILE NAME - #18	USER NAME - #USER#	DESIGNED - JWS	REVISED -	<b>STATE OF ILLINOIS</b> <b>DEPARTMENT OF TRANSPORTATION</b>	<b>MAINTENANCE OF TRAFFIC - I57/70 (PRE-STAGE 2A)</b>	F.A.I. RTE. 57/70	SECTION (25-3,4)R	COUNTY EFFINGHAM	TOTAL SHEETS 1098	SHEET NO. 899	
PLOT SCALE - #SCALE#	CHECKED - BRM	DATE - 4-01-08	REVISED -			SCALE: 1"=10'	SHEET NO. 4 OF 28 SHEETS	STA. 2137+00.00 TO STA. 2138+00.00	FED. ROAD DIST. NO. ILLINOIS FED. AID PROJECT	CONTRACT NO. 74299	