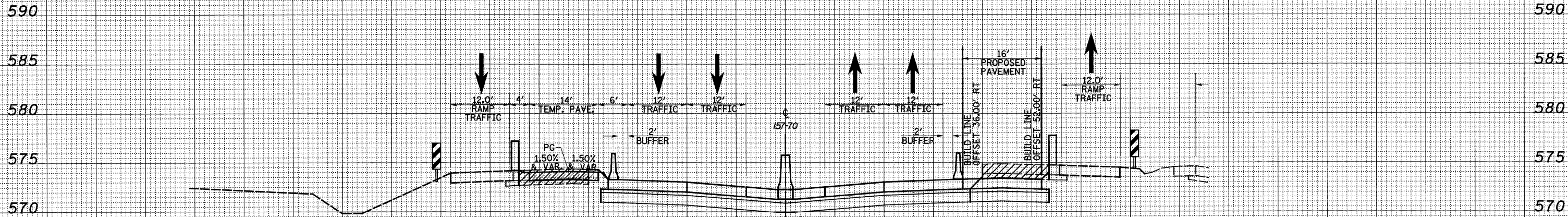


150 140 130 120 110 100 90 80 70 60 50 40 30 20 10 0 10 20 30 40 50 60 70 80 90 100 110 120 130 140 150

LEGEND

- TEMPORARY PCC PAVEMENT
- REMOVAL
- DRUM
- TEMPORARY CONCRETE BARRIER
- DIRECTION OF TRAFFIC

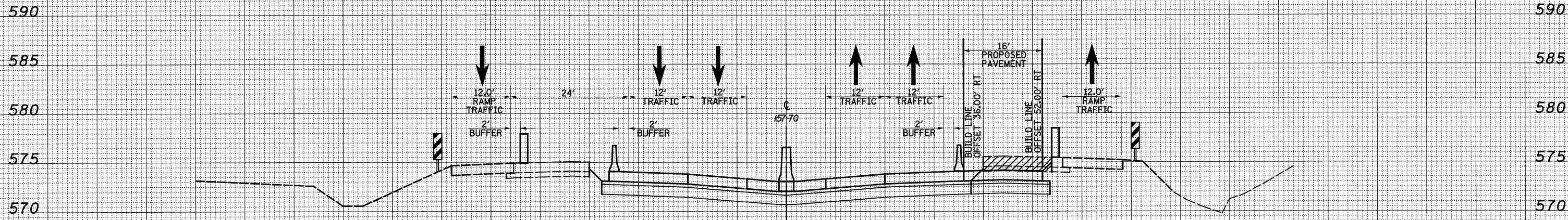
DATE	
BY	
SURVEYED	
PLOTTED	
TEMPLATE	
NOTE BOOK	
AREAS CHECKED	
NO.	



2154+00.00

CUT=28 FILL=2

DATE	
BY	
SURVEYED	
PLOTTED	
TEMPLATE	
NOTE BOOK	
AREAS CHECKED	
NO.	



2153+00.00

CUT=24 FILL=0

150 140 130 120 110 100 90 80 70 60 50 40 30 20 10 0 10 20 30 40 50 60 70 80 90 100 110 120 130 140 150

FILE NAME	USER NAME = #USER#	DESIGNED - JWS	REVISED -	STATE OF ILLINOIS DEPARTMENT OF TRANSPORTATION	MAINTENANCE OF TRAFFIC - 157/70 (PRE-STAGE 2A)	F.A.I. RTE.	SECTION	COUNTY	TOTAL SHEETS	SHEET NO.	
#119	PLOT SCALE = #SCALE#	DRAWN - LEC	REVISED -			57/70	(25-3,4)R	EFFINGHAM	1098	904	
	PLOT DATE = #DATE#	CHECKED - BRM	REVISED -			CONTRACT NO. 74299					
		DATE - 4-01-08	REVISED -			FED. ROAD DIST. NO. ILLINOIS FED. AID PROJECT					

SCALE: 1"=10' SHEET NO. 9 OF 28 SHEETS STA. 2153+00.00 TO STA. 2154+00.00