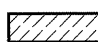

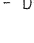




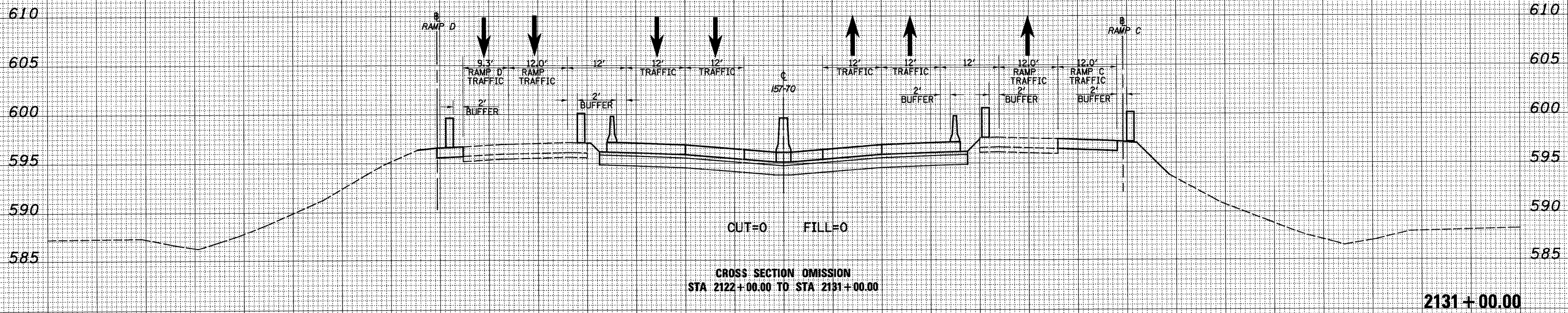
150 140 130 120 110 100 90 80 70 60 50 40 30 20 10 0 10 20 30 40 50 60 70 80 90 100 110 120 130 140 150

LEGEND

-  - TEMPORARY PCC PAVEMENT
-  - REMOVAL
-  - DRUM
-  - TEMPORARY CONCRETE BARRIER
-  - DIRECTION OF TRAFFIC

DATE	
BY	
FINAL SURVEY	
SURVEYED	
PLOTTED	
NOTE BOOK	
AREAS CHECKED	
NO.	

DATE	
BY	
ORIGINAL SURVEY	
SURVEYED	
PLOTTED	
NOTE BOOK	
AREAS CHECKED	
NO.	



FILE NAME =	USER NAME = bseibel	DESIGNED - JWS	REVISED -	STATE OF ILLINOIS DEPARTMENT OF TRANSPORTATION	MAINTENANCE OF TRAFFIC - 157/70 (PRE-STAGE 2B)	F.A.I. RTE.	SECTION	COUNTY	TOTAL SHEETS	SHEET NO.	
50\Projects\MD\8872.57-70.dwg\K_Keller\asht\main\NOT_F52.dwg	PLOT SCALE = 20.0000' / IN.	DRAWN - LEC	REVISED -			57/70	(25-3,4)R	EFFINGHAM	1098	924	
PLOT DATE = 3/11/2011	DATE - 4-01-08	CHECKED - BRM	REVISED -			CONTRACT NO. 74299					
SCALE: 1"=10'						SHEET NO. 1 OF 35 SHEETS		STA. 2131+00.00 TO STA. 2131+71.16		FED. ROAD DIST. NO. ILLINOIS FED. AID PROJECT	