




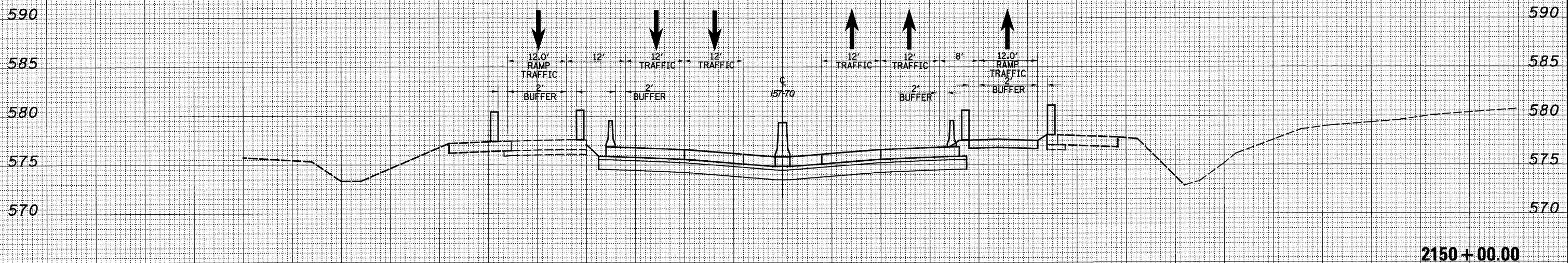


150 140 130 120 110 100 90 80 70 60 50 40 30 20 10 0 10 20 30 40 50 60 70 80 90 100 110 120 130 140 150

**LEGEND**

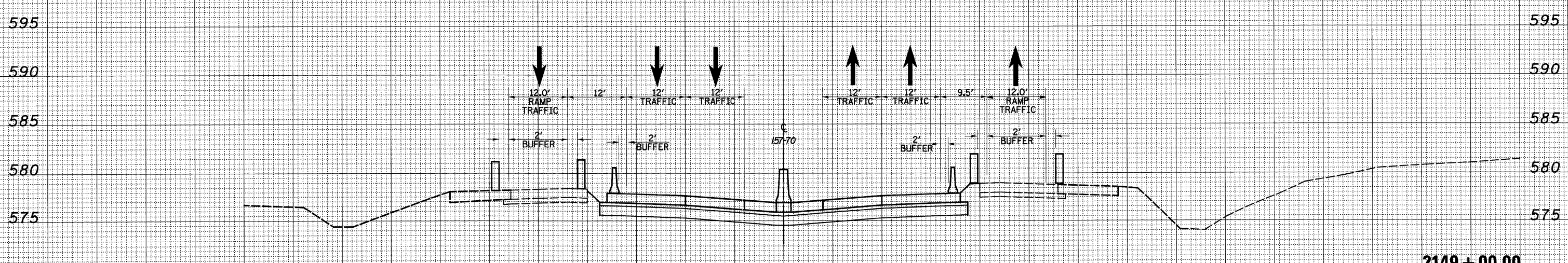
-  - TEMPORARY PCC PAVEMENT
-  - REMOVAL
-  - DRUM
-  - TEMPORARY CONCRETE BARRIER
-  - DIRECTION OF TRAFFIC

DATE \_\_\_\_\_  
 BY \_\_\_\_\_  
 SURVEYED \_\_\_\_\_  
 PLOTTED \_\_\_\_\_  
 TEMPLATE \_\_\_\_\_  
 NOTE BOOK \_\_\_\_\_  
 AREAS CHECKED \_\_\_\_\_  
 NO. \_\_\_\_\_



2150 + 00.00

DATE \_\_\_\_\_  
 BY \_\_\_\_\_  
 SURVEYED \_\_\_\_\_  
 PLOTTED \_\_\_\_\_  
 TEMPLATE \_\_\_\_\_  
 NOTE BOOK \_\_\_\_\_  
 AREAS CHECKED \_\_\_\_\_  
 NO. \_\_\_\_\_



2149 + 00.00

150 140 130 120 110 100 90 80 70 60 50 40 30 20 10 0 10 20 30 40 50 60 70 80 90 100 110 120 130 140 150

FILE NAME =	USER NAME = bseibel	DESIGNED - JWS	REVISED -	<b>STATE OF ILLINOIS DEPARTMENT OF TRANSPORTATION</b>	<b>MAINTENANCE OF TRAFFIC - I57/70 (PRE-STAGE 2B)</b>	F.A.I. RTE.	SECTION	COUNTY	TOTAL SHEETS	SHEET NO.	
57/70	(25-3,4)R	EFFINGHAM	1098			932					
						SCALE: 1"=10'	SHEET NO. 9 OF 35 SHEETS		STA. 2149+00.00 TO STA. 2150+00.00		
						FED. ROAD DIST. NO. ILLINOIS FED. AID PROJECT					

DRAWN - LEC  
 CHECKED - BRM  
 DATE - 4-01-08

CONTRACT NO. 74299