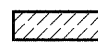






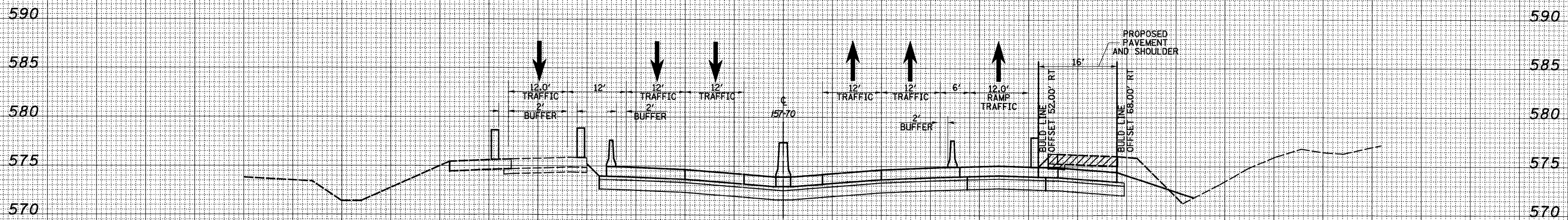
150 140 130 120 110 100 90 80 70 60 50 40 30 20 10 0 10 20 30 40 50 60 70 80 90 100 110 120 130 140 150

LEGEND

-  - TEMPORARY PCC PAVEMENT
-  - REMOVAL
-  - DRUM
-  - TEMPORARY CONCRETE BARRIER
-  - DIRECTION OF TRAFFIC

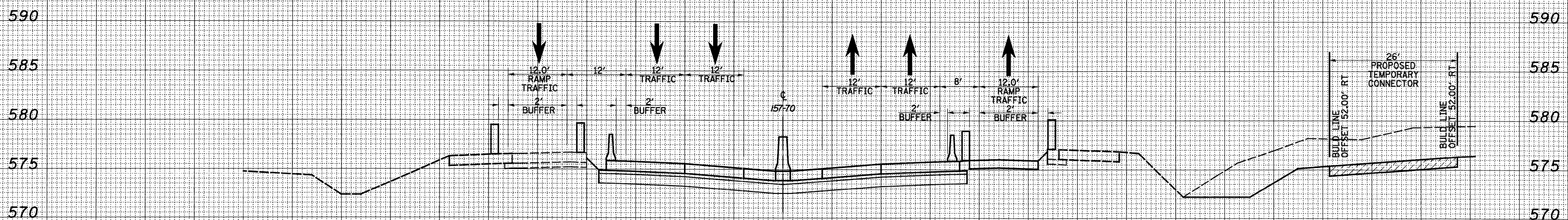
DATE	
BY	
SURVEYED	
PLOTTED	
TEMPLATE	
AREAS CHECKED	
FINAL SURVEY	
NOTE BOOK NO.	

DATE	
BY	
SURVEYED	
PLOTTED	
TEMPLATE	
AREAS CHECKED	
ORIGINAL SURVEY	
NOTE BOOK NO.	



CUT=44 FILL=2

2152 + 00.00



CUT=194 FILL=0

2151 + 00.00

FOR EARTHWORK SEE CROSS SECTIONS TEMPORARY CONNECTOR RAMP B

FILE NAME =	USER NAME = bseibel	DESIGNED - JWS	REVISED -	STATE OF ILLINOIS DEPARTMENT OF TRANSPORTATION	MAINTENANCE OF TRAFFIC - 157/70 (PRE-STAGE 2B)	F.A.I. RTE.	SECTION	COUNTY	TOTAL SHEETS	SHEET NO.	
SI\Projects\105-00072.51-70\p1\ML\Letter\ssk1.dwg\WT_P20.dwg	PLOT SCALE = 20.00000' / IN.	DRAWN - LEC	REVISED -			57/70	(25-3,4R)	EFFINGHAM	1098	933	
	PLOT DATE = 3/11/2011	CHECKED - BRM	REVISED -			SCALE: 1"=10'	SHEET NO. 10 OF 35 SHEETS	ILLINOIS FED. AID PROJECT	CONTRACT NO. 74299		
		DATE - 4-01-08	REVISED -			STA. 2151+00.00 TO STA. 2152+00.00					