
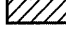





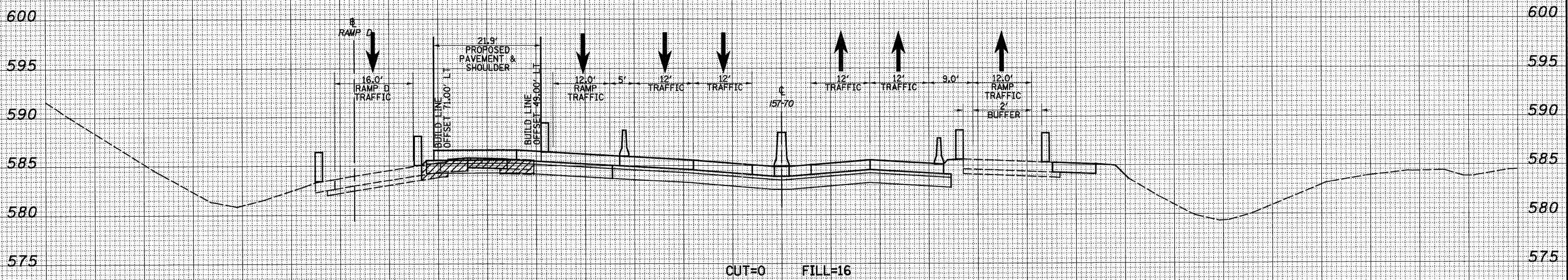
DATE _____
 BY _____
 SURVEYED _____
 PLOTTED _____
 NOTE BOOK _____
 NO. _____

DATE _____
 BY _____
 ORIGINAL SURVEY _____
 PLOTTED _____
 NOTE BOOK _____
 NO. _____

150 140 130 120 110 100 90 80 70 60 50 40 30 20 10 0 10 20 30 40 50 60 70 80 90 100 110 120 130 140 150

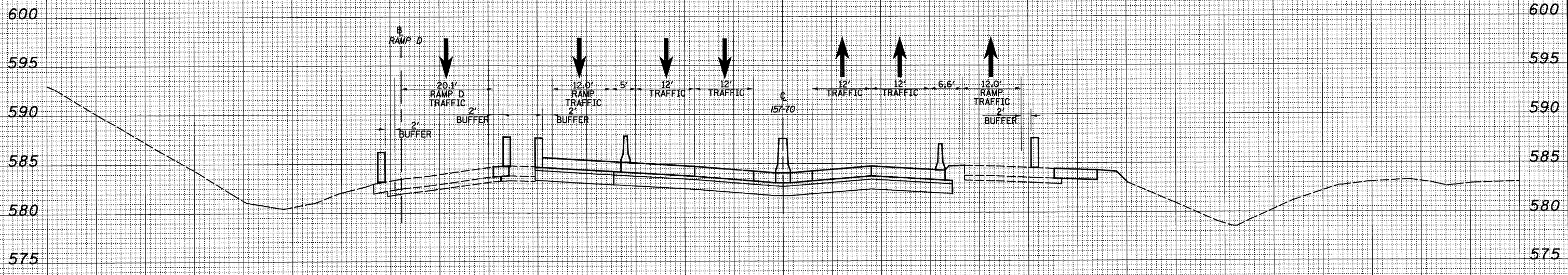
LEGEND

-  - TEMPORARY PCC PAVEMENT
-  - REMOVAL
-  - DRUM
-  - TEMPORARY CONCRETE BARRIER
-  - DIRECTION OF TRAFFIC



CUT=0 FILL=16

2192+00.00



CUT=0 FILL=0

2191+00.00

150 140 130 120 110 100 90 80 70 60 50 40 30 20 10 0 10 20 30 40 50 60 70 80 90 100 110 120 130 140 150

FILE NAME =	USER NAME = bseibel	DESIGNED - JWS	REVISED -	STATE OF ILLINOIS DEPARTMENT OF TRANSPORTATION	MAINTENANCE OF TRAFFIC - 157/70 (PRE-STAGE 2B)	F.A.I. RTE.	SECTION	COUNTY	TOTAL SHEETS	SHEET NO.	
57/70	25-3,4R	EFFINGHAM	1098			946					
						SCALE: 1"=10'	SHEET NO. 23 OF 35 SHEETS		STA. 2191+00.00 TO STA. 2192+00.00		
						FED. ROAD DIST. NO. ILLINOIS FED. AID PROJECT					