




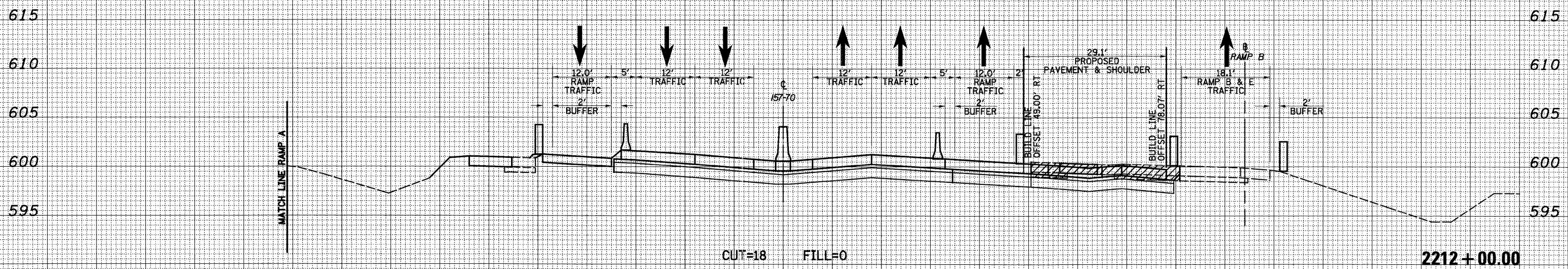


150 140 130 120 110 100 90 80 70 60 50 40 30 20 10 0 10 20 30 40 50 60 70 80 90 100 110 120 130 140 150

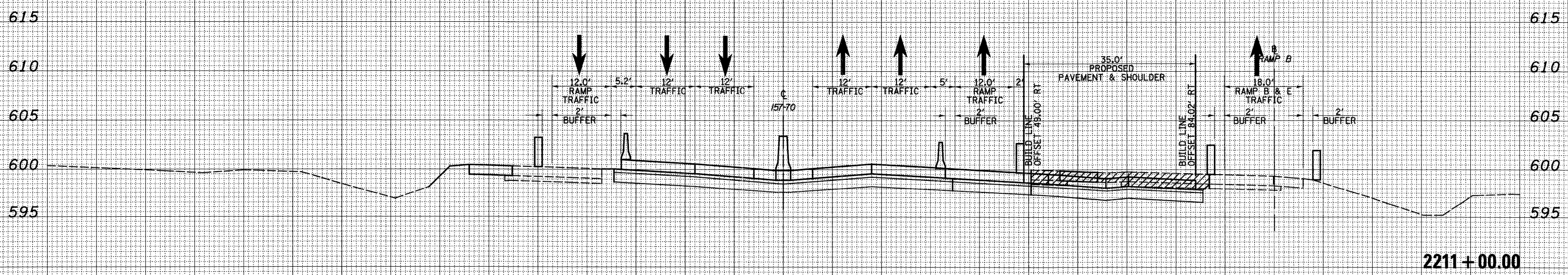
LEGEND

-  - TEMPORARY PCC PAVEMENT
-  - REMOVAL
-  - DRUM
-  - TEMPORARY CONCRETE BARRIER
-  - DIRECTION OF TRAFFIC

DATE _____ BY _____
 SURVEYED _____ PLOTTED _____
 NOTE BOOK _____ TEMPLATE _____
 NO. _____ AREAS CHECKED _____



DATE _____ BY _____
 SURVEYED _____ PLOTTED _____
 NOTE BOOK _____ TEMPLATE _____
 NO. _____ AREAS CHECKED _____



150 140 130 120 110 100 90 80 70 60 50 40 30 20 10 0 10 20 30 40 50 60 70 80 90 100 110 120 130 140 150

FILE NAME =	USER NAME = bseibel	DESIGNED - JWS	REVISED -	STATE OF ILLINOIS DEPARTMENT OF TRANSPORTATION	MAINTENANCE OF TRAFFIC - 157/70 (PRE-STAGE 2B)	F.A.I. RTE. 57/70	SECTION (25-3,4)R	COUNTY EFFINGHAM	TOTAL SHEETS 1098	SHEET NO. 953		
PROJECT: MD 888/257-70 Upr/VL/Inlet/Inst/Non/RT/PS/Obj	PLOT SCALE = 20,000' / IN.	DRAWN - LEC	REVISED -			SCALE: 1"=10'	SHEET NO. 30 OF 35 SHEETS	STA. 2211+00.00 TO STA. 2212+00.00	CONTRACT NO. 74299			
	PLOT DATE = 3/11/2011	CHECKED - BRM	REVISED -			FED. ROAD DIST. NO. ILLINOIS FED. AID PROJECT						
		DATE - 4-01-08	REVISED -									