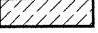

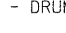


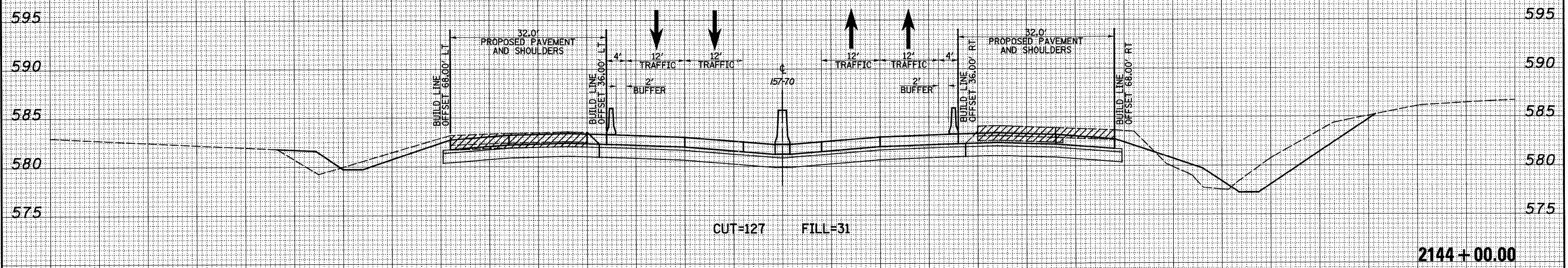


150 140 130 120 110 100 90 80 70 60 50 40 30 20 10 0 10 20 30 40 50 60 70 80 90 100 110 120 130 140 150

LEGEND

-  - TEMPORARY PCC PAVEMENT
-  - REMOVAL
-  - DRUM
-  - TEMPORARY CONCRETE BARRIER
-  - DIRECTION OF TRAFFIC

DATE	
BY	
FINAL SURVEY	
SURVEY PLOTTED	
NOTE BOOK	
TEMPLATE	
AREAS CHECKED	
NO.	



DATE	
BY	
ORIGINAL SURVEY	
SURVEY PLOTTED	
NOTE BOOK	
TEMPLATE	
AREAS CHECKED	
NO.	

