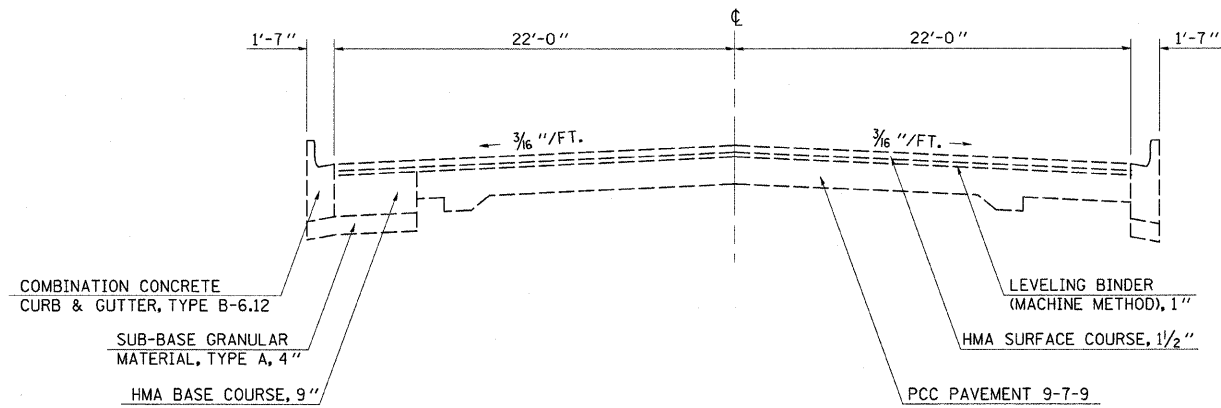


15 EXISTING TYPICAL CROSS SECTION

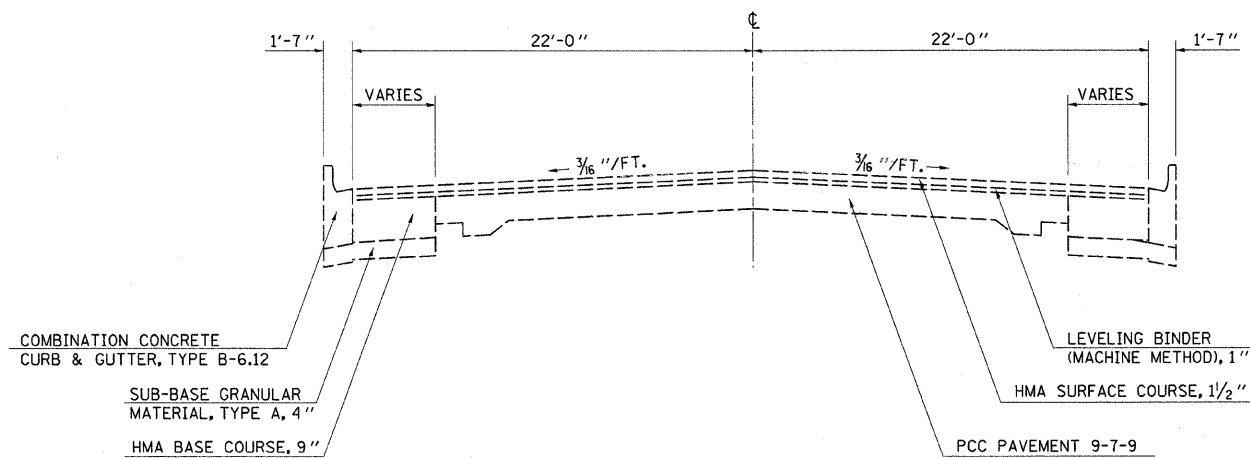
STA. 34+80.00 TO STA. 40+00.00



NOT DRAWN TO SCALE

16 EXISTING TYPICAL CROSS SECTION

STA. 40+00.00 TO STA. 43+00.00



NOT DRAWN TO SCALE

FILE NAME =	USER NAME = swartzrw	DESIGNED -	REVISED -	<b>STATE OF ILLINOIS DEPARTMENT OF TRANSPORTATION</b>	<b>EXISTING TYPICAL CROSS SECTION</b>		F.A.P. RTE.	SECTION	COUNTY	TOTAL SHEETS	SHEET NO.
or:\pwork\pvidot\swartzrw\d0212489\d77	520-sht-typicals.dgn	DRAWN -	REVISED -		716	(127R,RS-2)(130R-2,RS-1)	MACON	98	13		
PLOT SCALE = 20.0000' / 1" =	CHECKED -	REVISED -	SCALE: NA		SHEET NO. 8 OF 11 SHEETS	STA. TO STA.	CONTRACT NO. 74500		ILLINOIS FED. AID PROJECT		
PLOT DATE = 10/13/2011	DATE -	REVISED -									