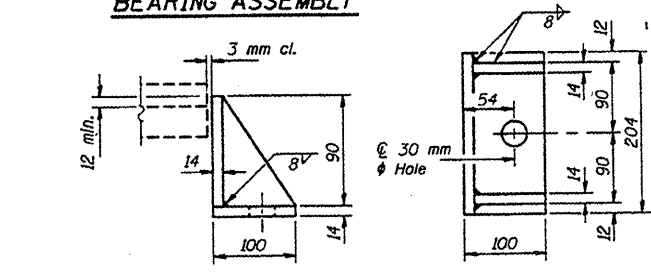
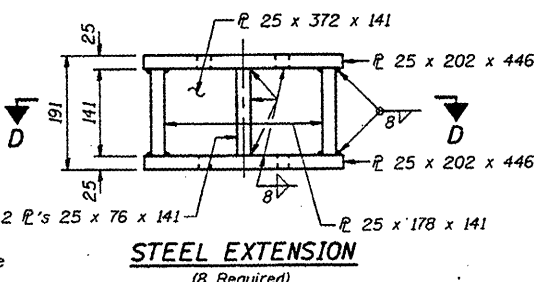
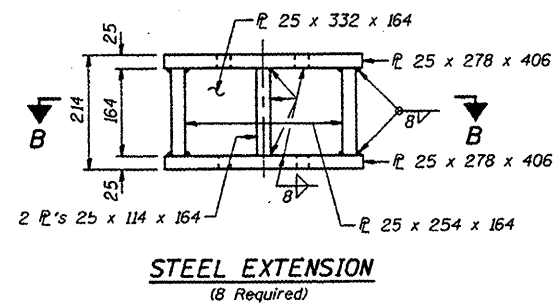
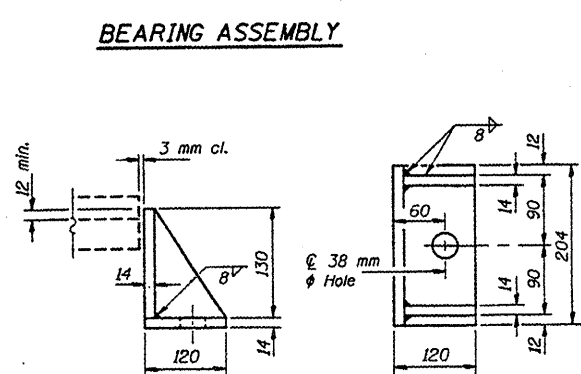
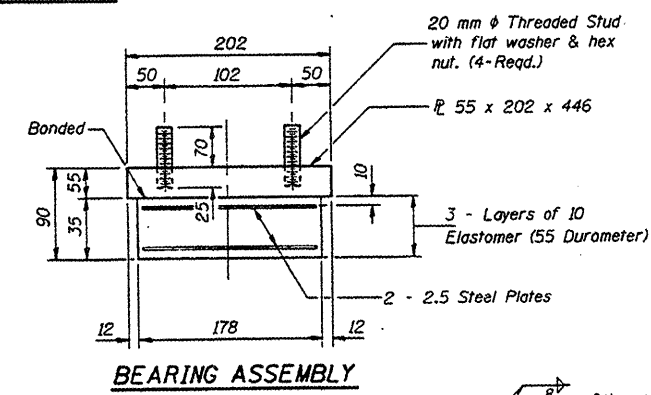
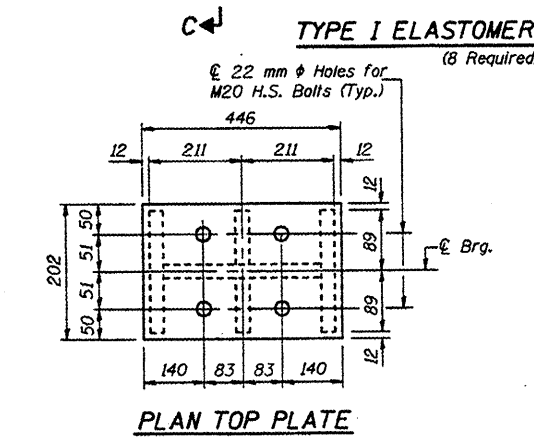
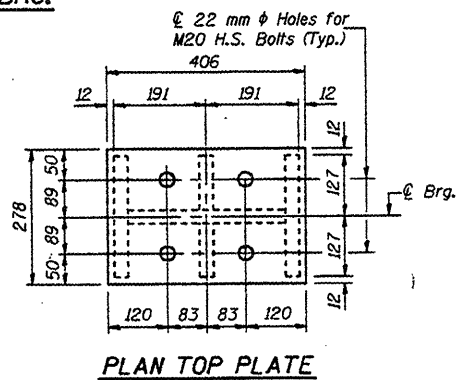
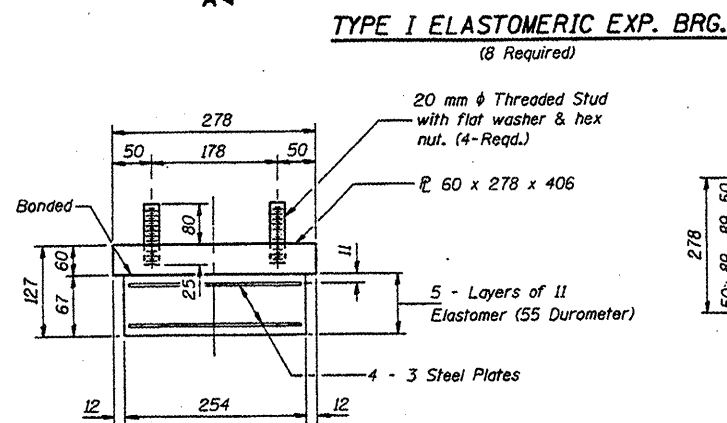
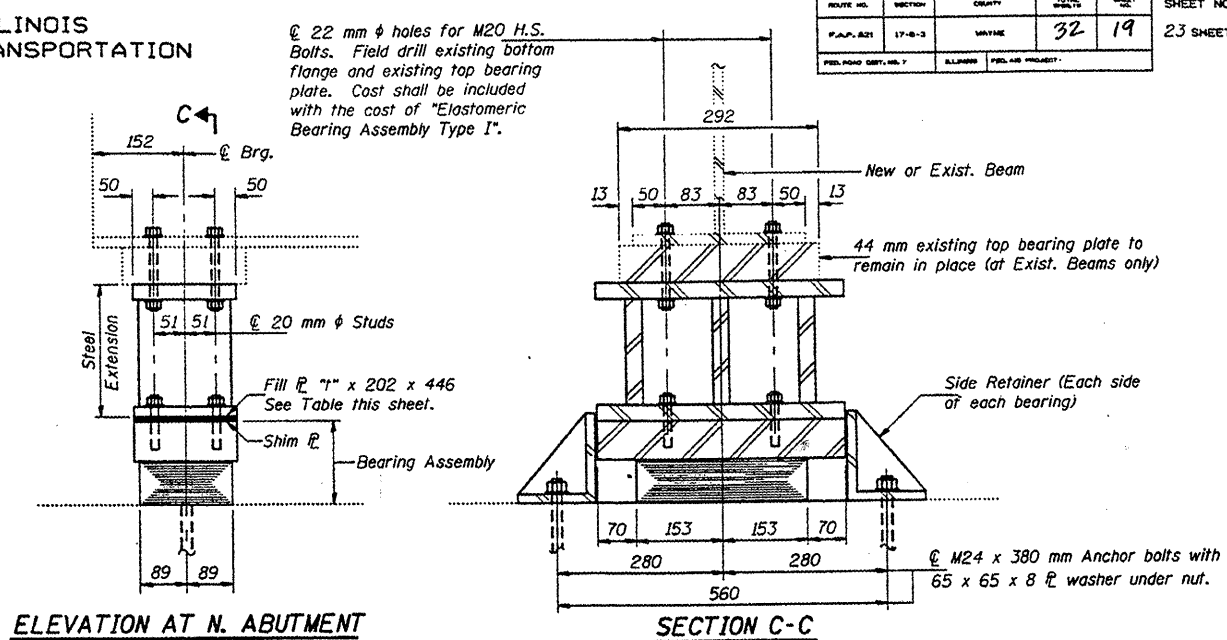
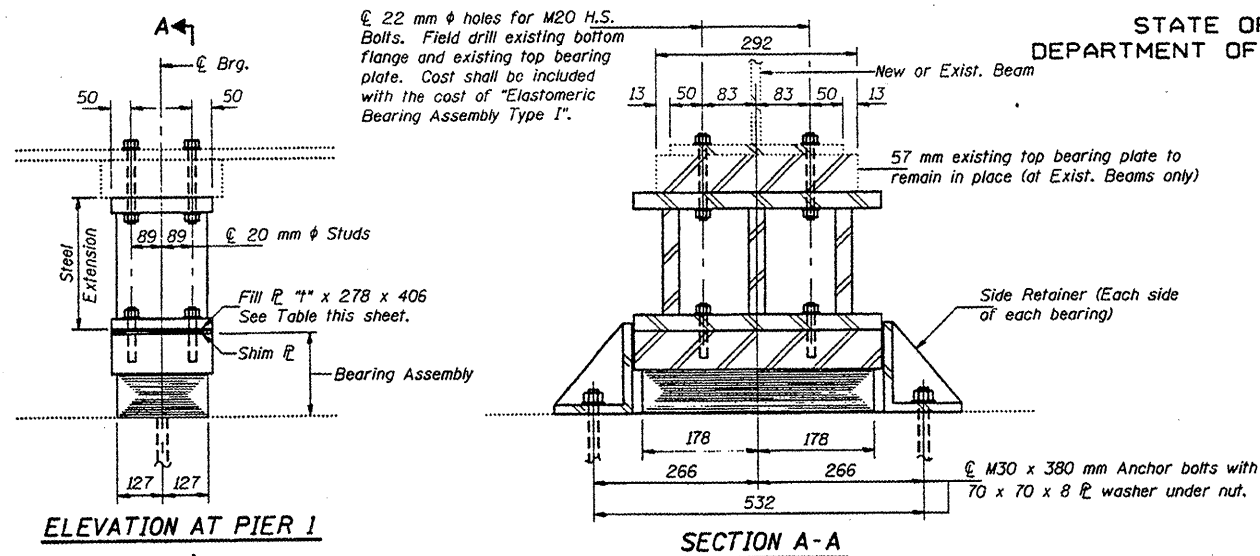


STATE OF ILLINOIS
DEPARTMENT OF TRANSPORTATION

ROUTE NO.	SECTION	CREWT	DATE	SHEET
F.A.P. RTE.	17-B-3	WAYNE	32	19
SHEET NO. 14				23 SHEETS



DESIGNED *James E. Hoff*

CHECKED *Steven P. ...*

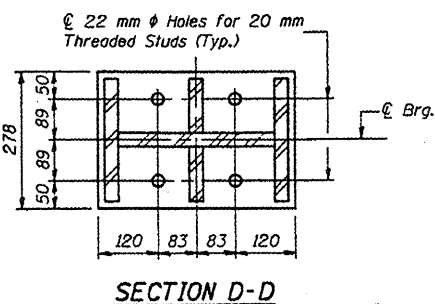
DRAWN *r.b. carbonell*

CHECKED *J.P.S. ...*

EXAMINED *Orsi O. Kaspar*

PASSED *Ralph E. ...*

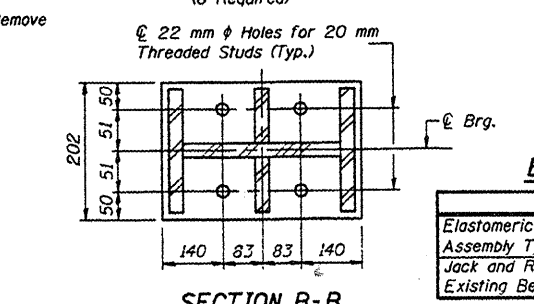
January 21 1997



Notes:
For anchor bolt installation details see sheet #16 of 23.
See sheet #15 of 23 for Jack and Remove Existing Bearing Procedure.
Shim plates shall not be placed under Bearing Assembly.

DIMENSION "I"

Beam	1A	1	2	3	4	5	6	6A
Pier 1	30	-	-	-	-	-	-	-
N. Abut.	-	8	3	3	3	-	-	-



BILL OF MATERIAL

Item	Unit	Total
Elastomeric Bearing Assembly Type I	Each	16
Jack and Remove Existing Bearings	Each	12

PIER 1 AND NORTH ABUTMENT
BEARING DETAILS
F.A.P. RTE. 821 - SEC. 17-B-3
WAYNE COUNTY
STATION 28+164.434
5B OF 16
74529