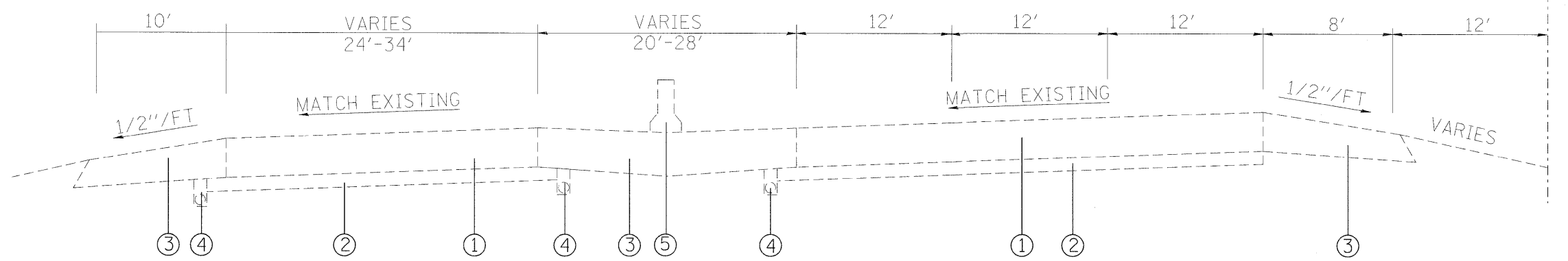


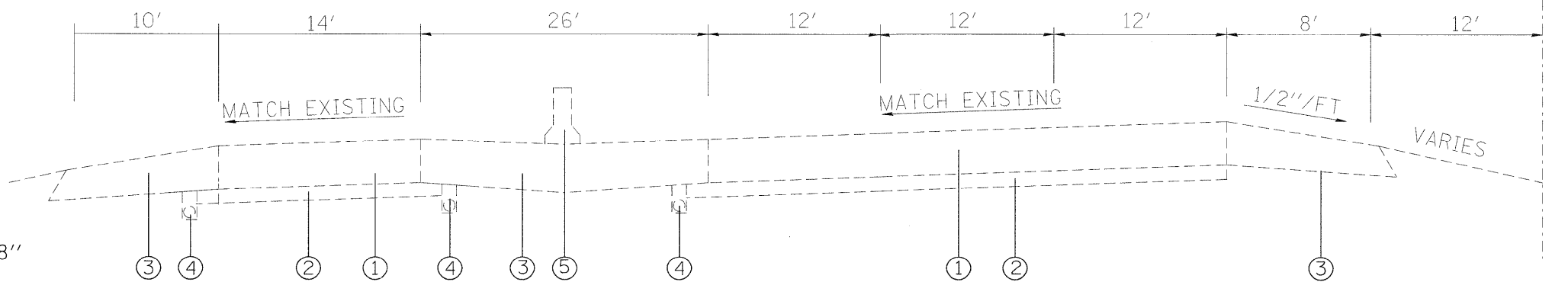
EXISTING TYPICAL SECTION

STA. 247+78.6 - 266+06  
STA. 307+73 - 320+57



EXISTING TYPICAL SECTION

STA. 266+06 - 271+48  
STA. 276+00 - 287+40



EXISTING TYPICAL SECTION

STA. 271+48 - 276+00  
STA. 287+40 - 297+71

**LEGEND**

- ① EXISTING CRPCC PAVEMENT, 8"
- ② EXISTING STABILIZED SUB-BASE, 4"
- ③ EXISTING BITUMINOUS SHOULDER, 8"
- ④ EXISTING PIPE UNDERDRAIN
- ⑤ EXISTING CONCRETE BARRIER, 32"
- ⑥ PROPOSED POLY HMA BINDER COURSE, 2-1/4"
- ⑦ PROPOSED POLY HMA SURFACE COURSE, 2"
- ⑧ PROPOSED BITUMINOUS MATERIALS (PRIME COAT)
- ⑨ PROPOSED AGGREGATE (PRIME COAT)
- ⑩ PROPOSED PCC SURFACE REMOVAL, 1/2"
- ⑪ PROPOSED HOT-MIX ASPHALT SHOULDERS, 3-3/4"
- ⑫ PROPOSED AGGREGATE WEDGE SHOULDER, TYPE B
- ⑬ PROPOSED PIPE UNDERDRAIN, 6"
- ⑭ PROPOSED SHOULDER REMOVAL AND REPLACEMENT, 8"
- ⑮ PROPOSED HIGH TENSION CABLE MEDIAN BARRIER
- ⑯ PROPOSED SHOULDER RUMBLE STRIP
- ⑰ PROPOSED CONCRETE BARRIER, 42"
- ⑱ PROPOSED HMA SHOULDER - 4' (MOW STRIP)

\* NOTE: SEE SCHEDULES FOR EXACT LOCATION OF PIPE UNDERDRAINS, CONCRETE BARRIER, GUARDRAIL AND CABLE MEDIAN BARRIER

|  |                             |            |           |   |  |                    |                         |           |                          |           |  |
|--|-----------------------------|------------|-----------|---|--|--------------------|-------------------------|-----------|--------------------------|-----------|--|
| FILE NAME =  | USER NAME = burnsideem      | DESIGNED - | REVISED - | <b>STATE OF ILLINOIS<br/>DEPARTMENT OF TRANSPORTATION</b> | <b>WESTBOUND EXISTING TYPICAL SECTIONS</b> | F.A.I. RTE.        | SECTION                 | COUNTY    | TOTAL SHEETS             | SHEET NO. |  |
| os:\pw\work\p\dot\burnsideem\d0109244\d076415-sh1-plan.dgn | PLOT SCALE = 50.0000' / in. | DRAWN -    | REVISED - |   |  | 64                 | 82-(3,4)RS              | ST. CLAIR | 167                      | 10        |  |
| PLOT DATE = 10/20/2011                                     | DATE -                      | CHECKED -  | REVISED - |   |  | CONTRACT NO. 76415 |                         |           |                          |           |  |
|  |                             |            |           |   |  | SCALE: _____       | SHEET NO. 1 OF 1 SHEETS |           | STA. _____ TO STA. _____ |           |  |