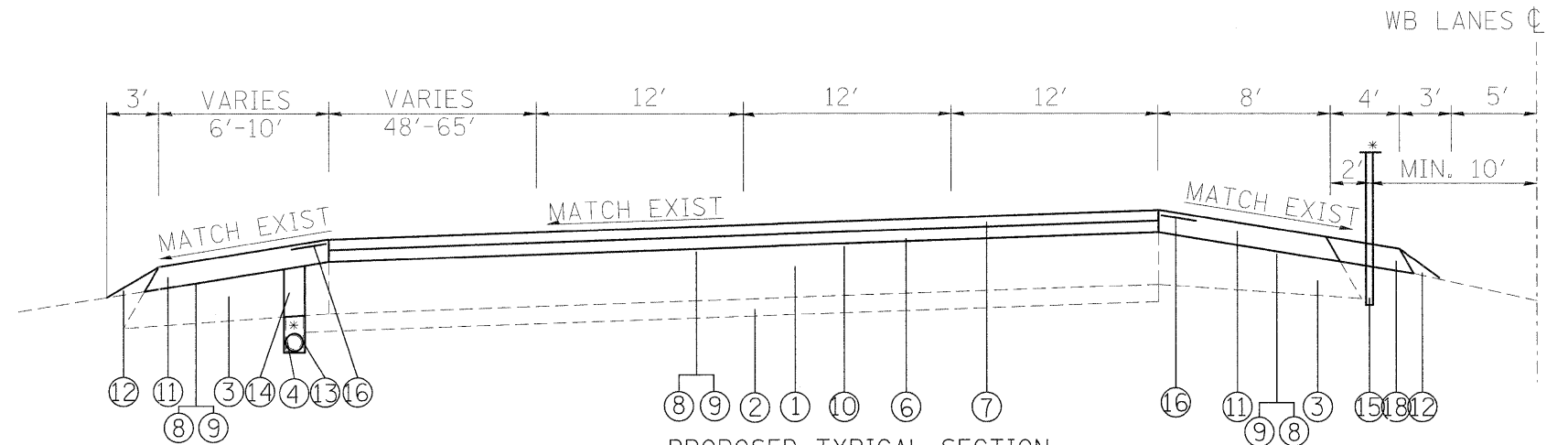


PROPOSED TYPICAL SECTION

STA. 297+71 - 307+43



PROPOSED TYPICAL SECTION

STA. 320+57 - 336+00

LEGEND

- ① EXISTING CRPCC PAVEMENT, 8"
- ② EXISTING STABILIZED SUB-BASE, 4"
- ③ EXISTING BITUMINOUS SHOULDER, 8"
- ④ EXISTING PIPE UNDERDRAIN
- ⑤ EXISTING CONCRETE BARRIER, 32"
- ⑥ PROPOSED POLY HMA BINDER COURSE, 2-1/4"
- ⑦ PROPOSED POLY HMA SURFACE COURSE, 2"
- ⑧ PROPOSED BITUMINOUS MATERIALS (PRIME COAT)
- ⑨ PROPOSED AGGREGATE (PRIME COAT)
- ⑩ PROPOSED PCC SURFACE REMOVAL, 1/2"
- ⑪ PROPOSED HOT-MIX ASPHALT SHOULDERS, 3-3/4"
- ⑫ PROPOSED AGGREGATE WEDGE SHOULDER, TYPE B
- ⑬ PROPOSED PIPE UNDERDRAIN, 6"
- ⑭ PROPOSED SHOULDER REMOVAL AND REPLACEMENT, 8"
- ⑮ PROPOSED HIGH TENSION CABLE MEDIAN BARRIER
- ⑯ PROPOSED SHOULDER RUMBLE STRIP
- ⑰ PROPOSED CONCRETE BARRIER, 42"
- ⑱ PROPOSED HMA SHOULDER - 4' (MOW STRIP)

* NOTE: SEE SCHEDULES FOR EXACT LOCATION OF PIPE UNDERDRAINS, CONCRETE BARRIER, GUARDRAIL AND CABLE MEDIAN BARRIER

FILE NAME =	USER NAME = burnsideem	DESIGNED -	REVISED -	STATE OF ILLINOIS DEPARTMENT OF TRANSPORTATION	WESTBOUND PROPOSED TYPICAL SECTIONS	F.A.I. RTE. =	SECTION	COUNTY	TOTAL SHEETS	SHEET NO.	
et\pw_work\p\dot\burnsideem\d0109244\d	76415-sh-t-plan.dgn	DRAWN -	REVISED -			64	82-(3,4)RS	ST. CLAIR	167	15	
PLOT SCALE = 50,0000 1/1 in.		CHECKED -	REVISED -			CONTRACT NO. 76415					
PLOT DATE = 10/28/2011		DATE -	REVISED -			FED. ROAD DIST. NO. - ILLINOIS FED. AID PROJECT					