

* Center of horizontal to center of splice dimension may vary. Verify before drilling holes in mounting tube.

PLAN DETAIL "A"
 ☉ Span between Panel Points

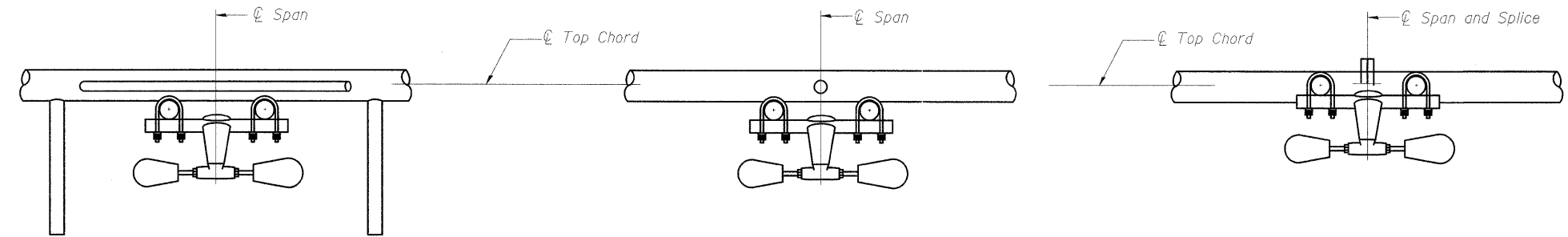
PLAN DETAIL "B"
 ☉ Span at Panel Point

PLAN DETAIL "C"
 ☉ Span at ☉ Chord Splice

NOTES

Damper: One damper per truss. (31 lbs. minimum Stockbridge-Type Aluminum - 29" minimum between ends of weights).

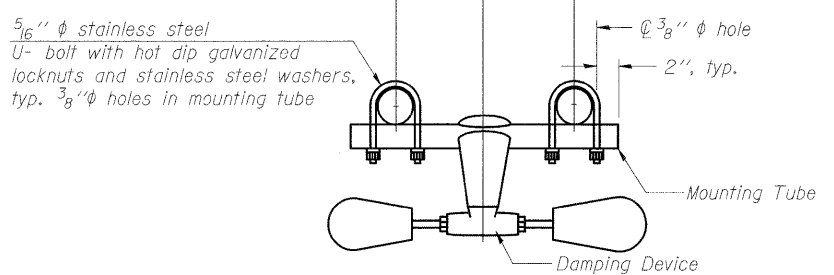
Materials: Materials: Aluminum tubes shall be ASTM B221 alloy 6061 temper T6. Cost included in Overhead Sign Structure...



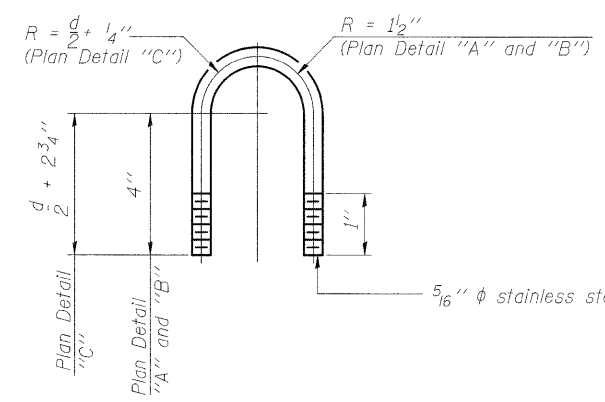
SECTION A-A

SECTION B-B

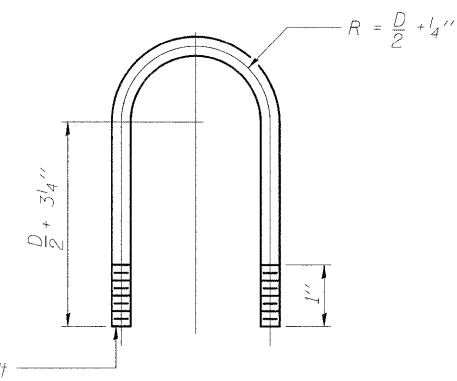
SECTION C-C



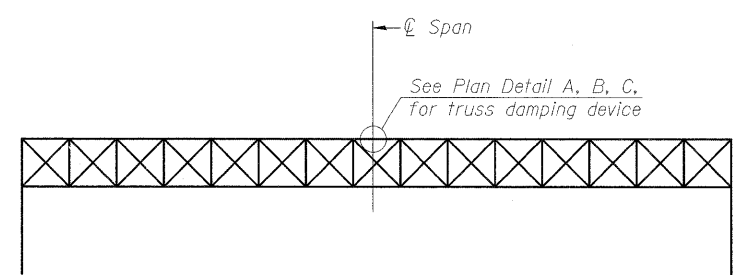
TRUSS DAMPING DEVICE CONNECTION DETAIL
 (Typical)



DAMPING DEVICE MOUNTING TUBE U-BOLT DETAIL
 (Typical)



TOP CHORD TO CROSS TUBE U-BOLT DETAIL
 (Typical - Detail "A" and "B")



ELEVATION
 Aluminum Overhead Sign Truss

OS-A-D

1-20-11

FILE NAME =	USER NAME = burnsideem	DESIGNED -	REVISED -
76415-shd-plon.dgn		DRAWN -	REVISED -
PLOT SCALE = 50,0000' / 1"		CHECKED -	REVISED -
PLOT DATE = 10/20/2011		DATE -	REVISED -

STATE OF ILLINOIS
 DEPARTMENT OF TRANSPORTATION

OVERHEAD SIGN STRUCTURE
 DAMPING DEVICE

SCALE: SHEET NO. OF SHEETS STA. TO STA.

F.A.I. RTE.	SECTION	COUNTY	TOTAL SHEETS	SHEET NO.
64	82-(3,4)RS	ST. CLAIR	167	83
CONTRACT NO. 76415				

FED. ROAD DIST. NO. ILLINOIS FED. AID PROJECT