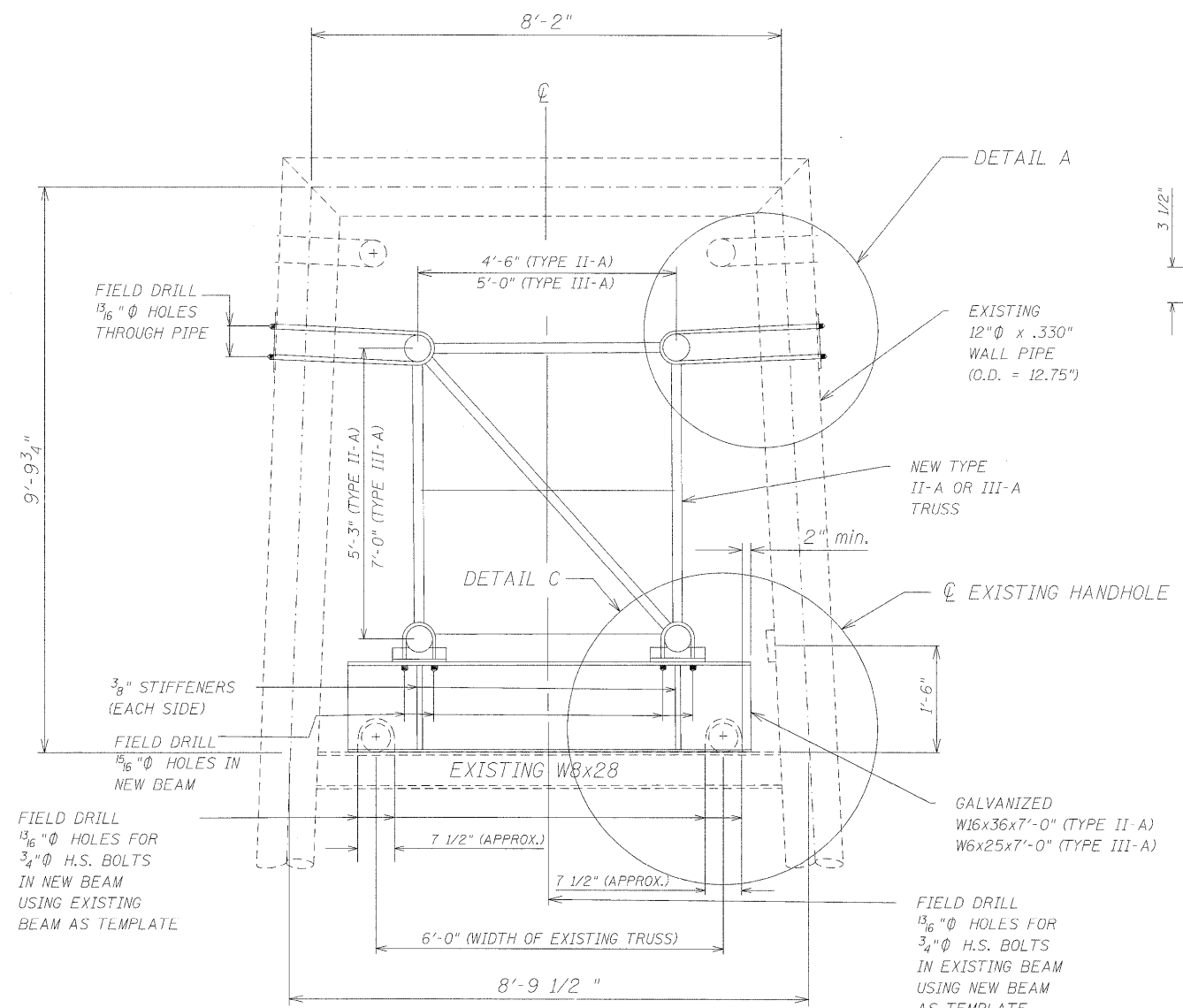
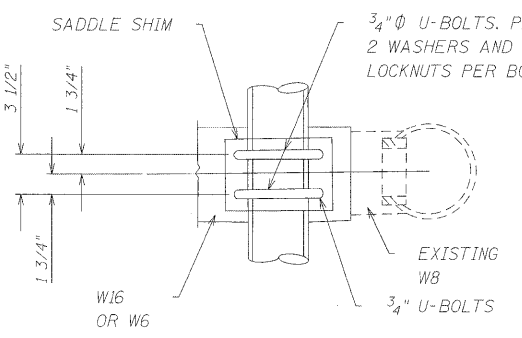


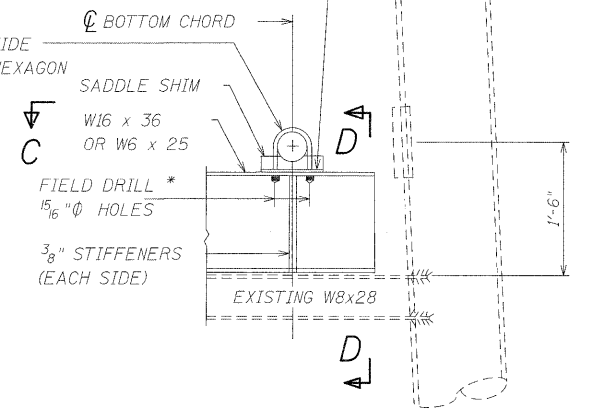
* VARIOUS ROUTES
 ** OVD SIN STR REP & REPL 2003-5 VARIOUS COUNTIES



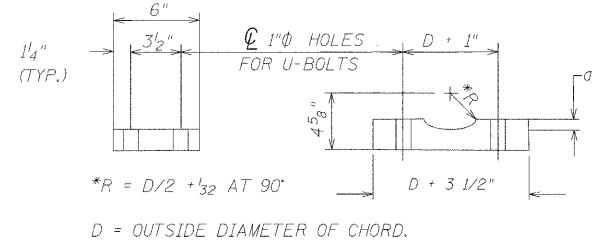
SIDE VIEW



SECTION C-C

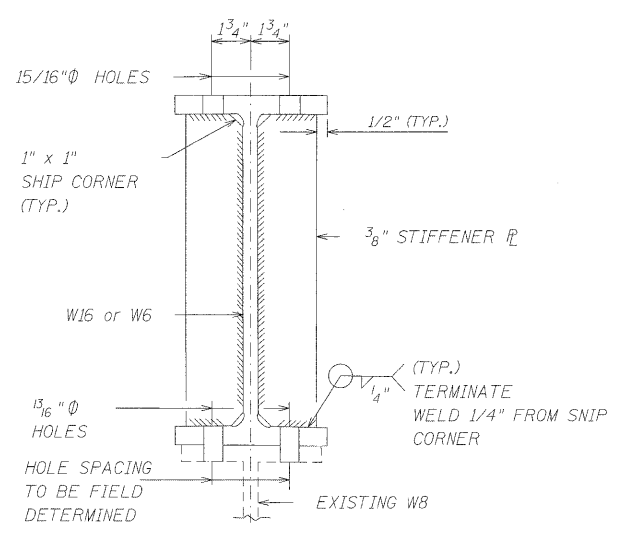
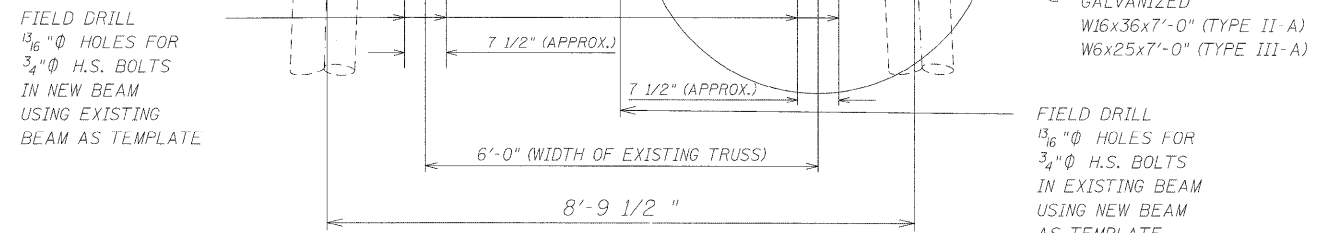


DETAIL C



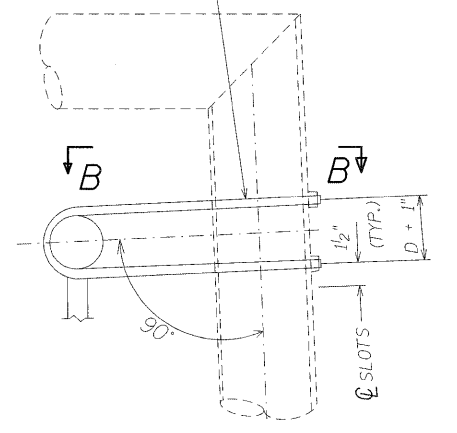
SADDLE SHIM DETAIL

ASTM B26 ALLOY 356-F
 OR
 ASTM B209 ALLOY 6061-T651
 (4 REQUIRED PER SIGN TRUSS)



SECTION D-D

3/4" STAINLESS STEEL U-BOLT PROVIDE TWO WASHERS AND TWO HEXAGON LOCKNUTS. FIELD DRILL 15/16" HOLES THROUGH PIPE. (4 HOLES REQUIRED PER PIPE)

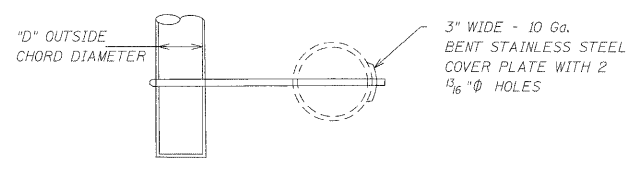


DETAIL A

Truss Chord Nominal Dia.	a
5"	3/4"
5 1/2"	13/16"
6"	7/8"
6 1/2"	15/16"
7"	1"
8 1/2"	1 1/4"
9"	1 3/8"

NOTES

- This sheet applies only to the following structures:
 Structure No. 8S082I064R006.7
- The Contractor and the Engineer shall field verify the height of the riser needed to maintain the proper clearance above the roadway.



SECTION B-B

OS-A-12-RETROFIT 4-01-99

FILE NAME =	USER NAME = burnsideem	DESIGNED -	REVISED -
ca:\pw\work\p\dot\burnsideem\d0109244\d	76415-shr-plan.dgn	DRAWN -	REVISED -
	PLOT SCALE = 50.0000 1/1 in.	CHECKED -	REVISED -
	PLOT DATE = 10/20/2011	DATE -	REVISED -

STATE OF ILLINOIS
 DEPARTMENT OF TRANSPORTATION

OVERHEAD SIGN STRUCTURES EXISTING SUPPORT
 FRAME RETROFIT FOR ALUMINUM TRUSS

SCALE: SHEET NO. OF SHEETS STA. TO STA.

F.A.I. RTE.	SECTION	COUNTY	TOTAL SHEETS	SHEET NO.
64	82-(3,4)RS	ST. CLAIR	167	84
CONTRACT NO. 76415				
FED. ROAD DIST. NO. ILLINOIS FED. AID PROJECT				