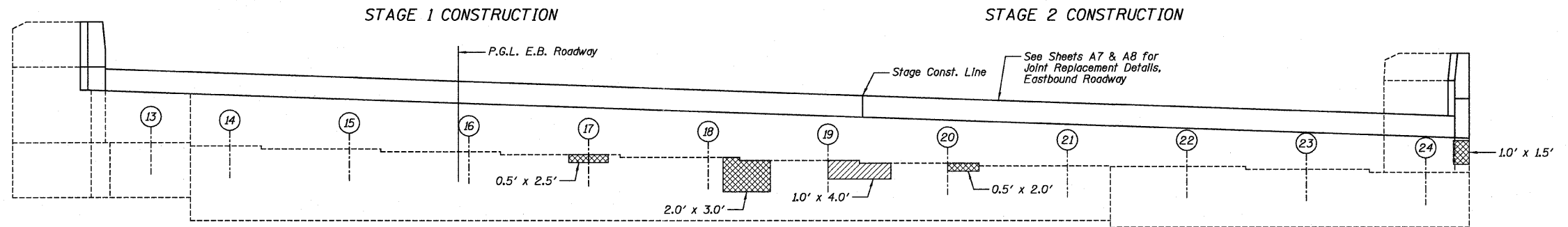
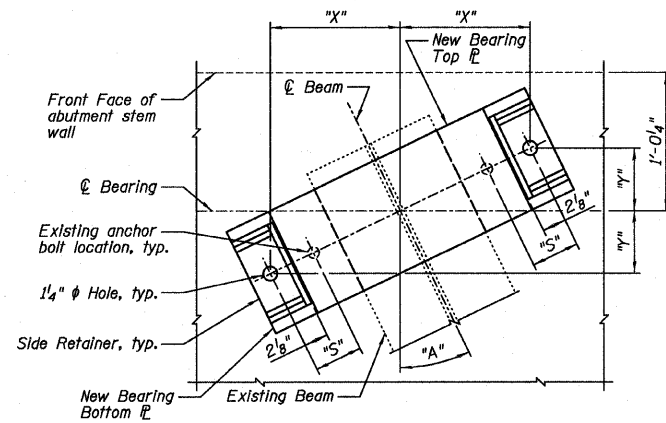


TOP VIEW



ELEVATION



BEARING PLAN AT ABUTMENT

Beam No.	Angle	Dimension			
		"A"	"S"	"X"	"Y"
13	23°28'27"	2 1/4"	11 3/4"	5 1/8"	
14-21	25°48'00"	4 1/4"	11 1/2"	5 1/2"	
22	23°28'27"	2 1/4"	11 3/4"	5 1/8"	
23-24	24°23'13"	2 1/4"	11 5/8"	5 1/4"	

LEGEND

- Structural Repair of Concrete (Depth Equal to or Less than 5 Inches)
- Structural Repair of Concrete (Depth Greater than 5 Inches)

BILL OF MATERIAL

ITEM	UNIT	TOTAL
Structural Repair of Concrete (Depth Equal to or Less than 5 Inches)	Sq. Ft.	11
Structural Repair of Concrete (Depth Greater than 5 Inches)	Sq. Ft.	8

Farnsworth
GROUP, INC.
2709 McGraw Drive
Bloomington, Illinois 61704
309/663-8435, 309/663-1571 fax

DESIGNED - JCZ
CHECKED - JML
DRAWN - DJM/JWK
DATE - 12/05/11

REVISÉ
REVISÉ
REVISÉ
REVISÉ

STATE OF ILLINOIS
DEPARTMENT OF TRANSPORTATION

EAST ABUTMENT, EASTBOUND ROADWAY
STRUCTURE NO. 082-0167 (E.B.)
STRUCTURE NO. 082-0168 (W.B.)

SHEET NO. A16 OF 21 SHEETS

F.A.I. RTE.	SECTION	COUNTY	TOTAL SHEETS	SHEET NO.
64	82-(3,4)RS	ST. CLAIR	167	116
				CONTRACT NO. 76415

ILLINOIS FED. AID PROJECT