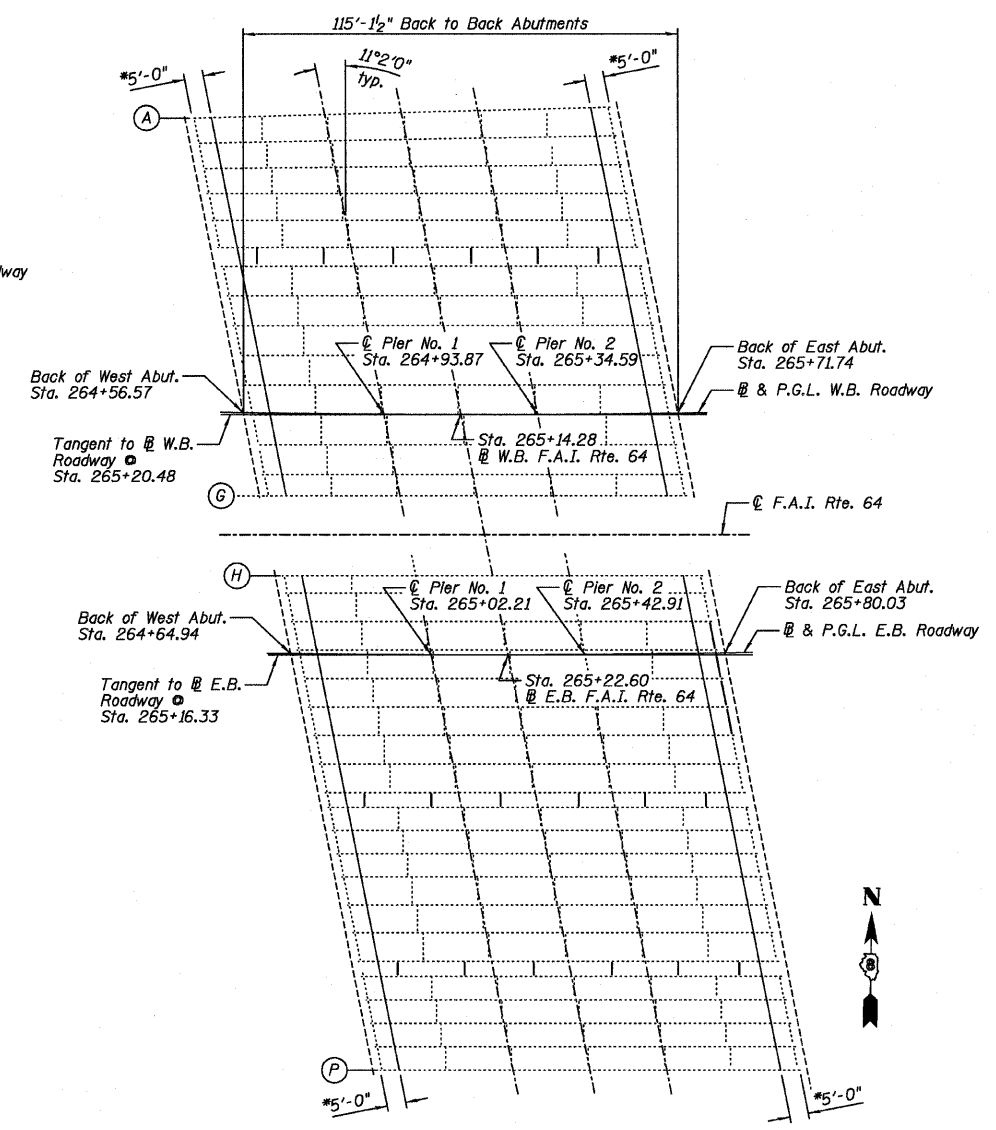
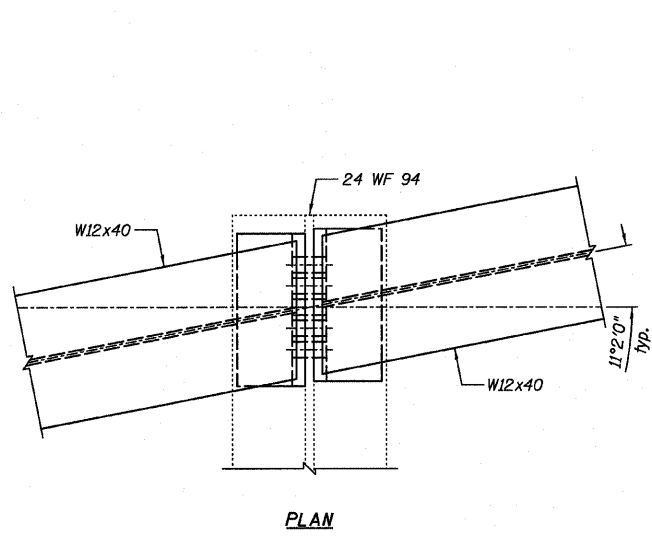


**PARTIAL PLAN - EASTBOUND ROADWAY**  
(Stage 1 Construction)

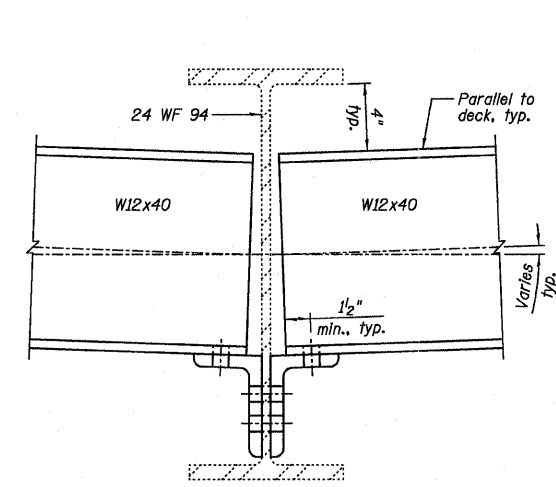
Note: All beams are 24 WF 94 unless noted otherwise.



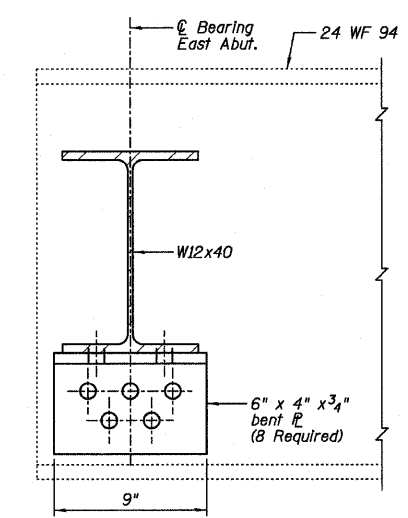
**PLAN**



**PLAN**



**ELEVATION**



**SECTION**

**DIAPHRAGM D1**  
(4 - Required)

**NOTES:**

- 1.) Detail 5/16" holes for all 3/4" bolts.
- 2.) Two hardened washers shall be required for each set of oversized holes.
- 3.) For existing to proposed connection, match existing bolt holes. The Contractor shall provide connection details for all existing to proposed connections per the existing shop drawings.

**BILL OF MATERIAL**

ITEM	UNIT	082-0169	082-0170	TOTAL
Furnishing and Erecting Structural Steel	Pound	2,900	980	3,880
Structural Steel Removal	Pound	1,280		1,280

**NOTES:**

- 1.) \*Limits of Cleaning and Painting Structural Steel.
- 2.) Clean and paint each beam end, along with the end diaphragms. See General Note 10 on Sheet B2.
- 3.) For Cleaning and Painting Structural Steel, the West Abutments are combined for Location 1, and the East Abutments are combined for Location 2.

**Farnsworth GROUP, INC.**  
2709 McGraw Drive  
Bloomington, Illinois 61704  
308/853-8435, 308/853-1571 fax

DESIGNED - JCZ  
CHECKED - JML  
DRAWN - DJM/JWK  
DATE - 12/05/11  
CHECKED - MSW

REVISED  
REVISED  
REVISED  
REVISED

**STATE OF ILLINOIS**  
**DEPARTMENT OF TRANSPORTATION**

**STRUCTURAL STEEL**  
**STRUCTURE NO. 082-0169 (E.B.)**  
**STRUCTURE NO. 082-0170 (W.B.)**  
SHEET NO. B22 OF 34 SHEETS

F.A.I. RTE.	SECTION	COUNTY	TOTAL SHEETS	SHEET NO.
64	82-(3,4)RS	ST. CLAIR	167	143
CONTRACT NO. 76415				
ILLINOIS FED. AID PROJECT				