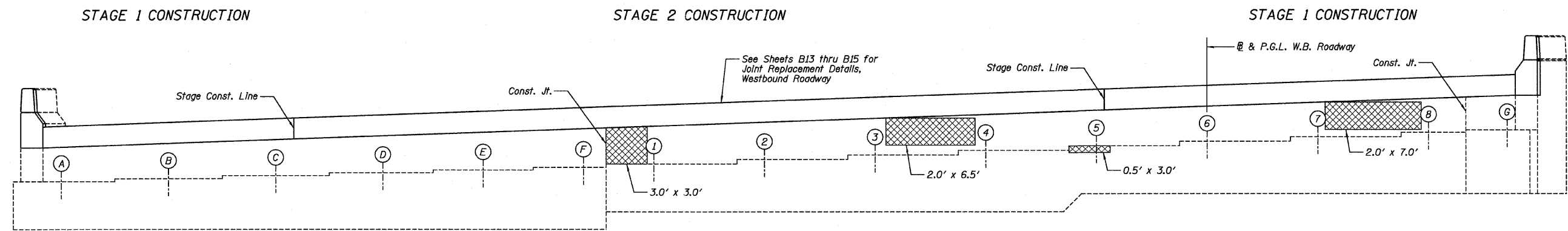
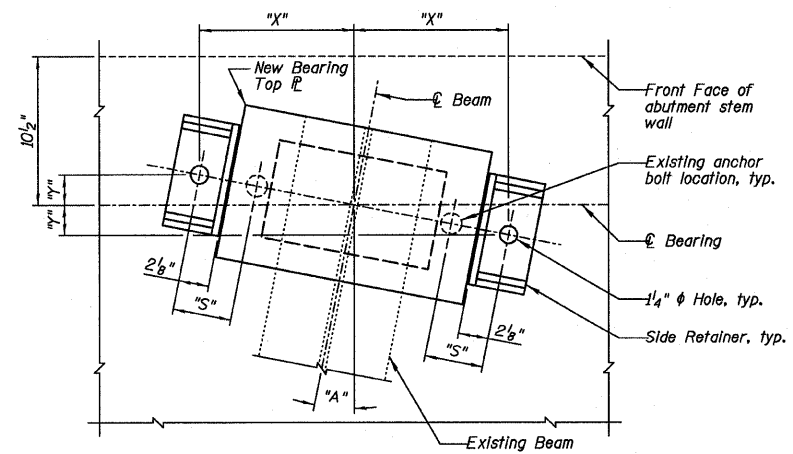


TOP VIEW



ELEVATION



BEARING PLAN AT ABUTMENT

Beam No.	Angle	Dimension		
	"A"	"S"	"X"	"Y"
A	09°01'45"	4 $\frac{1}{8}"$	11"	1 $\frac{3}{4}"$
B	09°31'57"	4 $\frac{1}{8}"$	11"	1 $\frac{15}{16}"$
C	10°02'03"	4 $\frac{1}{8}"$	10 $\frac{15}{16}"$	1 $\frac{15}{16}"$
D	10°32'05"	4 $\frac{1}{8}"$	10 $\frac{15}{16}"$	2 $\frac{1}{16}"$
E	10°47'03"	4 $\frac{1}{8}"$	10 $\frac{15}{16}"$	2 $\frac{1}{16}"$
F	11°02'00"	4 $\frac{1}{8}"$	10 $\frac{15}{16}"$	2 $\frac{1}{16}"$
I-B	11°02'00"	2 $\frac{3}{8}"$	10 $\frac{15}{16}"$	2 $\frac{1}{8}"$
G	11°02'00"	4 $\frac{1}{8}"$	10 $\frac{15}{16}"$	2 $\frac{1}{8}"$

LEGEND

Structural Repair of Concrete (Depth Equal to or Less than 5 Inches)

BILL OF MATERIAL

ITEM	UNIT	TOTAL
Structural Repair of Concrete (Depth Equal to or Less than 5 Inches)	Sq. Ft.	39

Farnsworth GROUP, INC.
2709 McCraw Drive
Bloomington, Illinois 61704
309/663-8435, 309/663-1571 fax

DESIGNED - JCZ	REVISED
CHECKED - JML	REVISED
DRAWN - DJM/JWK	REVISED
CHECKED - MSW	REVISED
DATE - 12/05/11	

STATE OF ILLINOIS DEPARTMENT OF TRANSPORTATION

EAST ABUTMENT, WESTBOUND ROADWAY
STRUCTURE NO. 082-0169 (E.B.)
STRUCTURE NO. 082-0170 (W.B.)
SHEET NO. B30 OF 34 SHEETS

F.A.I. RTE.	SECTION	COUNTY	TOTAL SHEETS	SHEET NO.
64	82-(3,4)RS	ST. CLAIR	167	151
				CONTRACT NO. 76415
ILLINOIS FED. AID PROJECT				