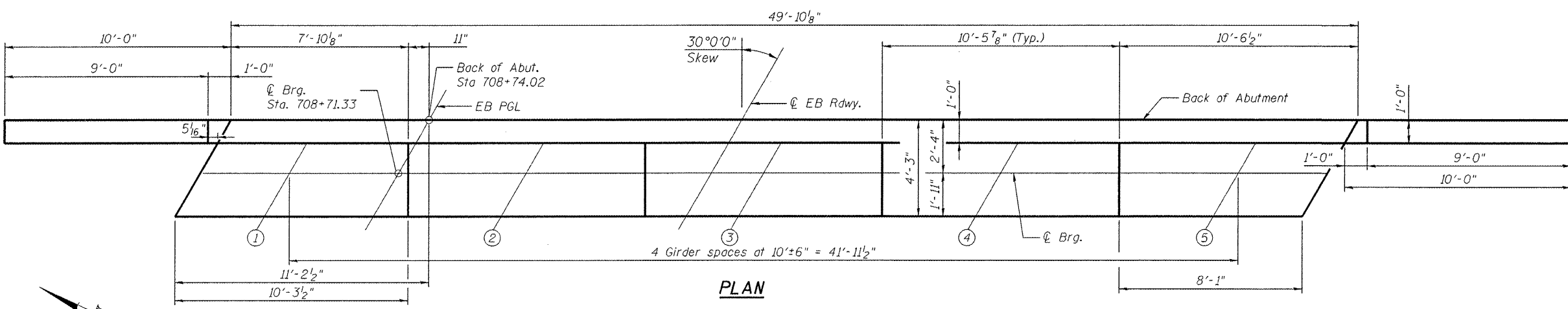
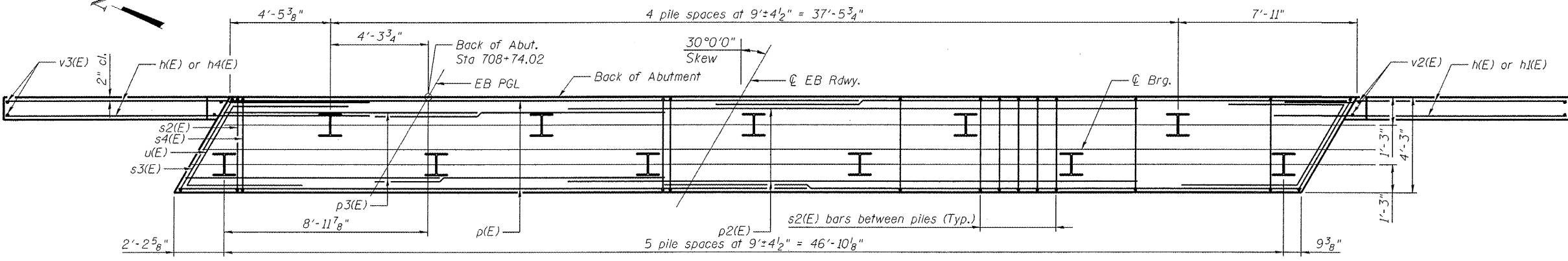


ELEVATION



PLAN



PILE PLAN

BILL OF MATERIAL

Bar	No.	Size	Length	Shape
h(E)	26	#8	16'-7"	—
h1(E)	14	#5	10'-8"	—
h4(E)	14	#5	9'-11"	—
p(E)	20	#7	27'-5"	—
p1(E)	8	#5	26'-5"	—
p2(E)	5	#5	24'-1"	—
p3(E)	10	#5	11'-11"	—
s2(E)	50	#5	15'-4"	□
s3(E)	2	#5	16'-6"	□
s4(E)	42	#5	7'-11"	□
u(E)	8	#6	12'-2"	∩
v3(E)	11	#5	21'-3"	—
v2(E)	11	#5	15'-8"	—
Concrete Structures	Cu. Yd.		39.9	
Reinforcement Bars, Epoxy Coated	Pound		4,800	
Furnishing - Piles, HP 12x53	Foot		810	
Driving Piles	Foot		810	
Test Pile Steel, HP 12x53	Each		1	
Pile Shoes	Each		11	
Structure Excavation	Cu. Yd.		76	

For details of piles see sheet S-51 of S-62.
 Cast steps monolithically with cap.
 Space top reinforcement in cap to miss anchor bolts.

PILE DATA

Type: HP 12x53
 Nominal Required Bearing: 399 kip
 Factored Resistance Available: 220 kip
 Est. Length: 81'-0"
 No. Production Piles: 10
 No. Test Piles: 1

MIN BAR LAP

#5 = 3'-3"
 #7 = 5'-2"

FILE NAME = 0820117-0110-76884-01-EastabutEB.dgn



USER NAME = krakm	DESIGNED - RAB	REVISED - 1/6/2012 RAB
	CHECKED - JAN	REVISED -
PLOT SCALE = 5/4,0000 1" = 10'	DRAWN - RAB	REVISED -
PLOT DATE = 01/06/2012	CHECKED - JAN	REVISED -

**STATE OF ILLINOIS
 DEPARTMENT OF TRANSPORTATION**

**EAST ABUTMENT PLAN AND ELEVATION EASTBOUND
 STRUCTURE NO. 082-0117 (E.B.) & 082-0118 (W.B.)**

F.A.P. RTE.	SECTION	COUNTY	TOTAL SHEETS	SHEET NO.
103	27-1-VHB-1	ST. CLAIR	277	156
			CONTRACT NO. 76884	
ILLINOIS FED. AID PROJECT				

SHEET NO. S-41 OF S-62 SHEETS