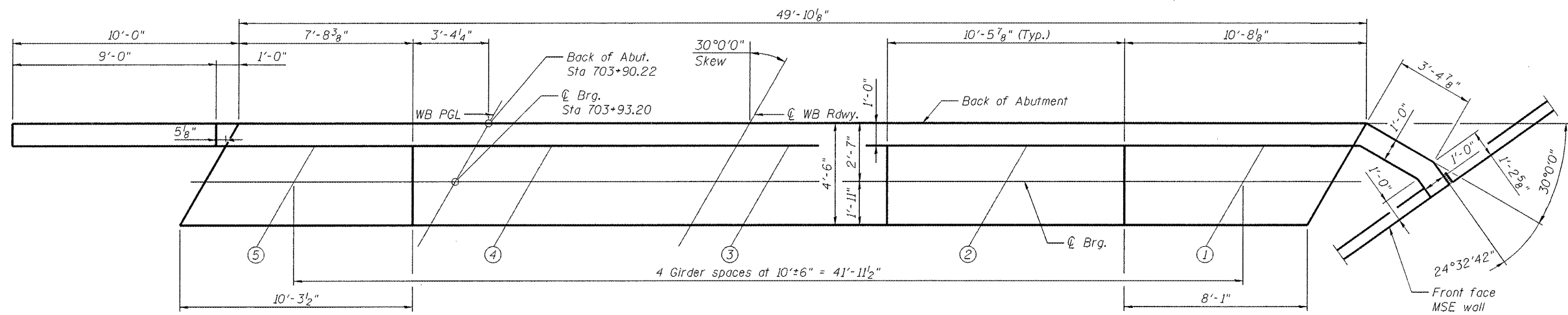
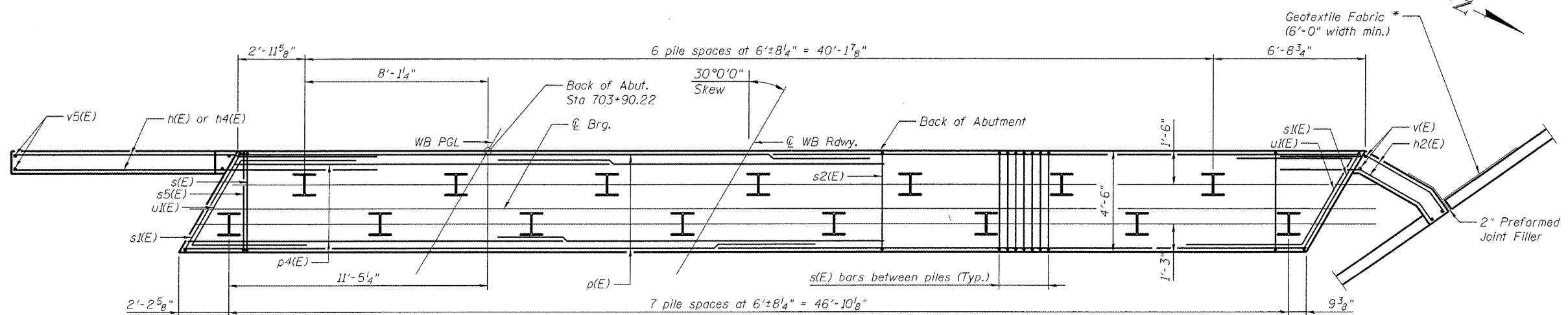


ELEVATION



TOP VIEW



PILE PLAN

BILL OF MATERIAL

Bar	No.	Size	Length	Shape
h2(E)	14	#8	16'-7"	—
h3(E)	8	#5	7'-6"	—
h4(E)	14	#5	9'-11"	—
p(E)	20	#7	27'-5"	—
p4(E)	8	#5	26'-5"	—
p4(E)	10	#5	17'-2"	—
s(E)	98	#5	15'-10"	□
s1(E)	2	#5	17'-0"	□
s5(E)	30	#5	8'-2"	□
u(E)	8	#6	12'-5"	—
v(E)	10	#5	10'-4"	—
v5(E)	11	#5	19'-3"	—
Concrete Structures	Cu. Yd.		35.0	
Reinforcement Bars, Epoxy Coated	Pound		4,800	
Furnishing Steel Piles, HP 12x53	Foot		616	
Driving Piles	Foot		616	
Test Pile Steel, HP 12x53	Each		1	
Pile Shoes	Each		15	

For details of piles see sheet S-51 of S-62.

*Item incidental to Concrete Structures

Cast steps monolithically with cap.

Space top reinforcement in cap to miss anchor bolts.

PILE DATA

Type: HP 12x53
 Nominal Required Bearing: 406 kip
 Factored Resistance: Available: 223 kip
 Est. Length: 44'-0"
 No. Production Piles: 14
 No. Test Piles: 1

MIN BAR LAP

#5 = 3'-3"
 #7 = 5'-2"

FILE NAME: 0820117-011B-76684-042-WestAbutmentWB.dgn



USER NAME = krom	DESIGNED - RAB	REVISION 1/6/2012 RAB
PLOT SCALE = 5/16" = 1' / IN.	CHECKED - JAN	REVISION -
PLOT DATE = 01/06/2012	DRAWN - RAB	REVISION -
	CHECKED - JAN	REVISION -

**STATE OF ILLINOIS
 DEPARTMENT OF TRANSPORTATION**

**WEST ABUTMENT PLAN AND ELEVATION WESTBOUND
 STRUCTURE NO 082-0117 (E.B.) & 082-0118 (W.B.)**

SHEET NO. S-42 OF S-62 SHEETS

F.A.P. RTE.	SECTION	COUNTY	TOTAL SHEETS	SHEET NO.
103	27-1-VHB-1	ST. CLAIR	277	157
			CONTRACT NO. 76884	
ILLINOIS FED. AID PROJECT				