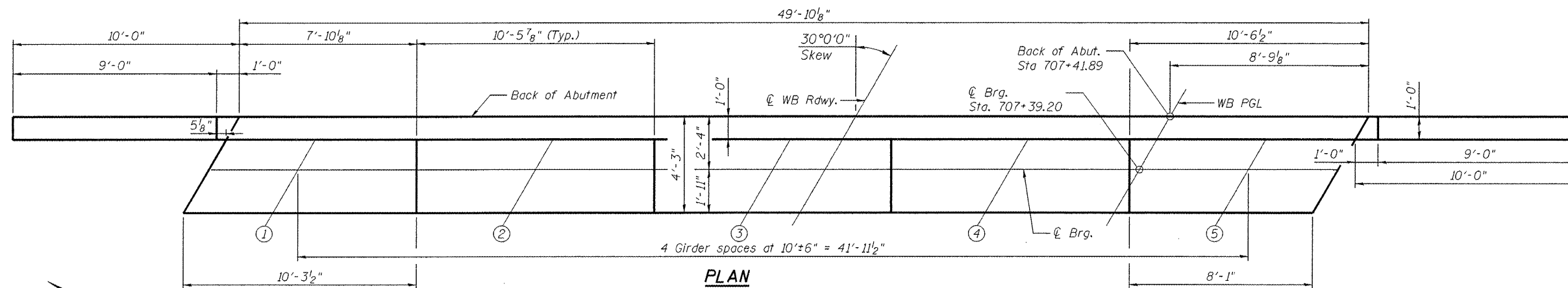
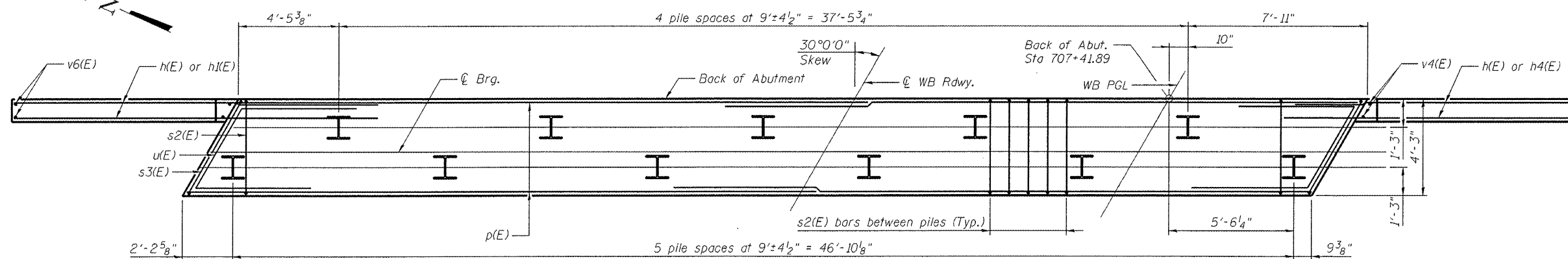


**ELEVATION**



**PLAN**



**PILE PLAN**

**BILL OF MATERIAL**

Bar	No.	Size	Length	Shape	
h(E)	24	#8	16'-7"	—	
h4(E)	14	#5	10'-8"	—	
h4(E)	14	#5	9'-11"	—	
p(E)	20	#7	27'-5"	—	
p4(E)	4	#5	26'-5"	—	
s2(E)	50	#5	15'-4"	□	
s3(E)	2	#5	16'-6"	□	
u(E)	8	#6	12'-2"	∟	
v6(E)	11	#5	15'-10"	—	
v4(E)	11	#5	17'-11"	—	
<b>Concrete Structures</b>				<b>Cu. Yd.</b>	<b>35.9</b>
<b>Reinforcement Bars, Epoxy Coated</b>				<b>Pound</b>	<b>3,970</b>
<b>Furnishing Steel Piles, HP 12x53</b>				<b>Foot</b>	<b>850</b>
<b>Driving Piles</b>				<b>Foot</b>	<b>850</b>
<b>Test Pile Steel, HP 12x53</b>				<b>Each</b>	<b>1</b>
<b>Pile Shoes</b>				<b>Each</b>	<b>11</b>
<b>Structure Excavation</b>				<b>Cu. Yd.</b>	<b>76</b>

For details of piles see sheet S-51 of S-62.

Cast steps monolithically with cap.

Space top reinforcement in cap to miss anchor bolts.

**PILE DATA**

Type: HP 12x53  
 Nominal Required Bearing: 417 kip  
 Factored Resistance Available: 229 kip  
 Est. Length: 85'-0"  
 No. Production Piles: 10  
 No. Test Piles: 1

**MIN BAR LAP**

#5 = 3'-3"  
 #7 = 5'-2"

FILE NAME = 002017-0105-76884-013-Exc-Abutment-WB.dwg



USER NAME = krom	DESIGNED - RAB	REVISED - 1/6/2012 RAB
PLOT SCALE = 5:4.0000 "/>		

**STATE OF ILLINOIS**  
**DEPARTMENT OF TRANSPORTATION**

**EAST ABUTMENT PLAN AND ELEVATION WESTBOUND**  
**STRUCTURE NO. 082-0117 (E.B.) & 082-0118 (W.B.)**  
 SHEET NO. S-43 OF S-62 SHEETS

F.A.P. RTE. 103	SECTION 27-1-VHB-1	COUNTY ST. CLAIR	TOTAL SHEETS 277	SHEET NO. 158
CONTRACT NO. 76884			ILLINOIS FED. AID PROJECT	