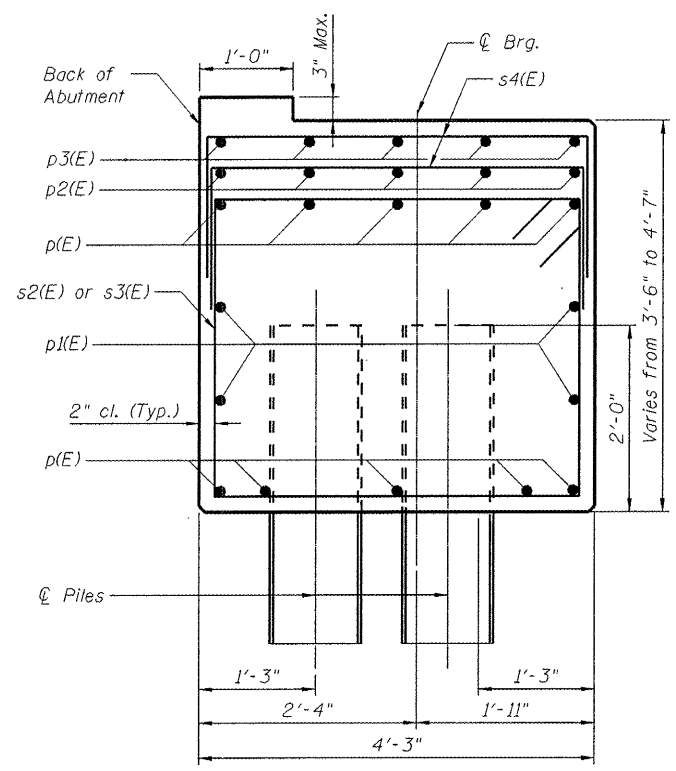
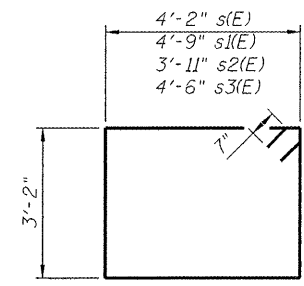


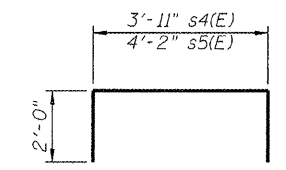
SECTION THRU WEST ABUT.



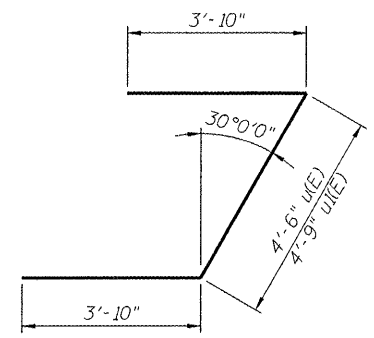
SECTION THRU EAST ABUT.



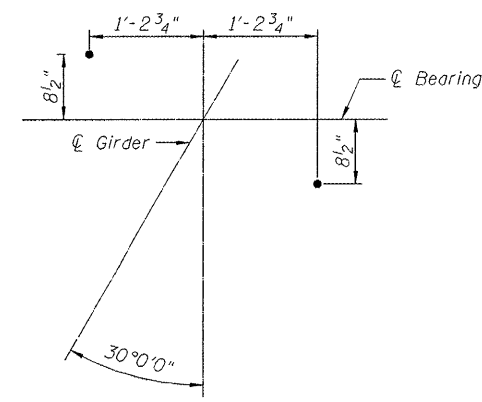
s(E), s1(E), s2(E) and s3(E)



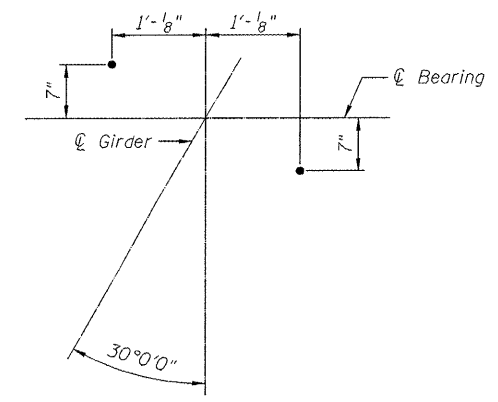
s4(E) and s5(E)



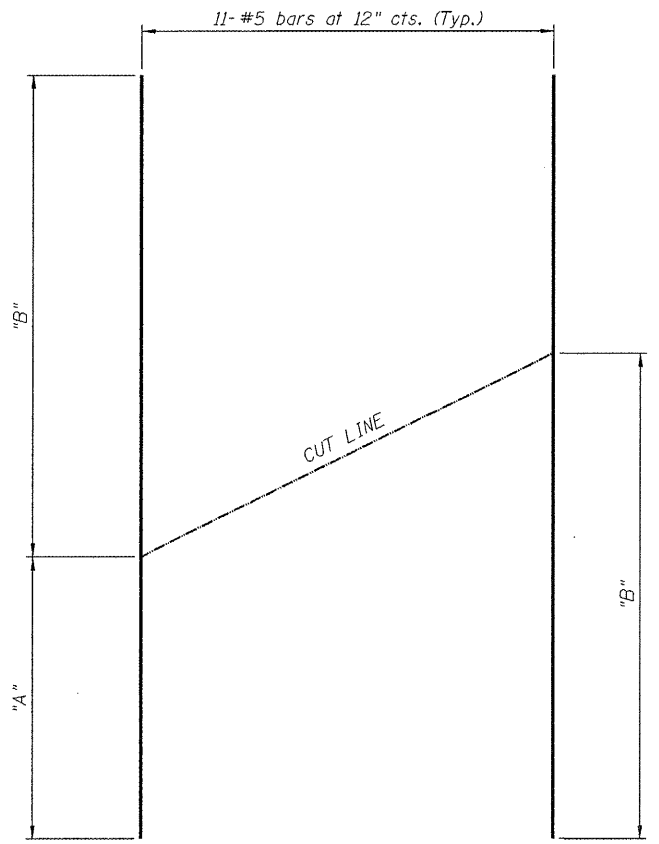
u(E) and u1(E)



ANCHOR BOLT LAYOUT WEST ABUTMENT



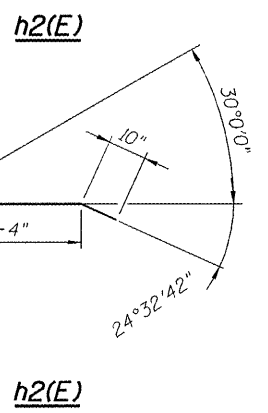
ANCHOR BOLT LAYOUT EAST ABUTMENT



FIELD CUTTING DIAGRAM

Order v1(E), v2(E), v3(E), v4(E), v5(E) and v6(E) full length. Cut as shown and use remainder of bars in opposite face.

Bar	Length	"A"	"B"
v1(E)	16'-5"	6'-0"	10'-5"
v2(E)	15'-8"	5'-7"	10'-1"
v3(E)	21'-3"	9'-0"	12'-3"
v4(E)	17'-11"	7'-10"	10'-1"
v5(E)	19'-3"	8'-6"	10'-9"
v6(E)	15'-10"	5'-8"	10'-2"



h2(E)

h2(E)

NOTES

* Pile liners shall be included in the cost of "Furnishing Steel Piles HP12x53"

FILE NAME = 082017-0118-76884-044-abutment.dgn



USER NAME = krcokm	DESIGNED - RAB	REVISED 1/6/2012 RAB
PLOT SCALE = 20.0000 1" / 10'	CHECKED - JAN	REVISED -
PLOT DATE = 01/06/2012	DRAWN - RAB	REVISED -
	CHECKED - JAN	REVISED -

STATE OF ILLINOIS
DEPARTMENT OF TRANSPORTATION

ABUTMENT DETAILS
STRUCTURE NO. 082-0117 (E.B.) & 082-0118 (W.B.)

SHEET NO. S-44 OF S-62 SHEETS

F.A.P. RTE. 103	SECTION 27-1-VHB-1	COUNTY ST. CLAIR	TOTAL SHEETS 277	SHEET NO. 159
			CONTRACT NO. 76884	
ILLINOIS FED. AID PROJECT				