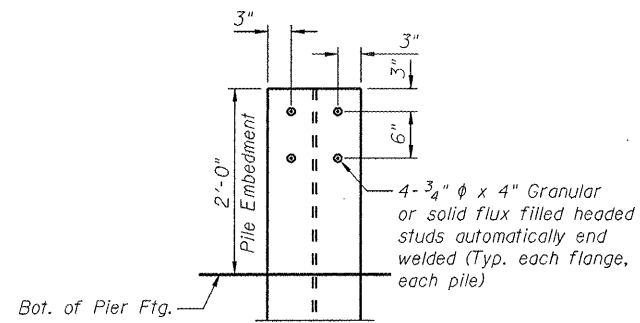
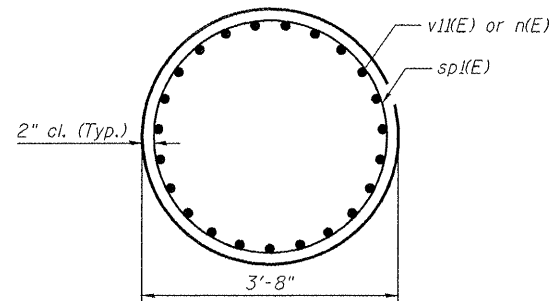


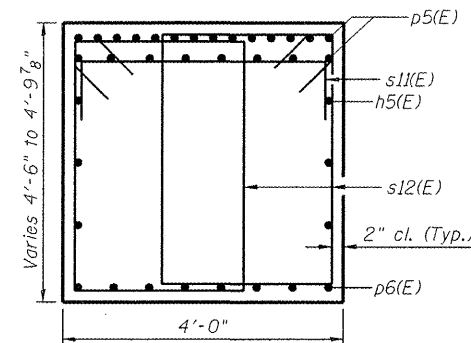
ANCHOR BOLT LAYOUT



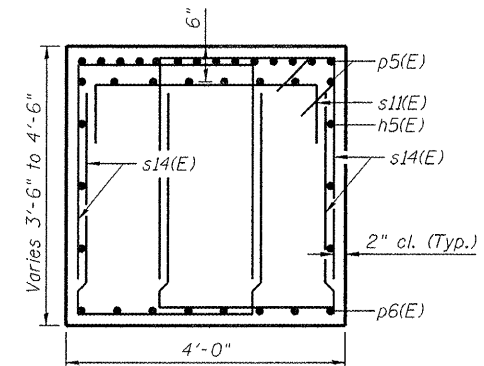
DETAIL A



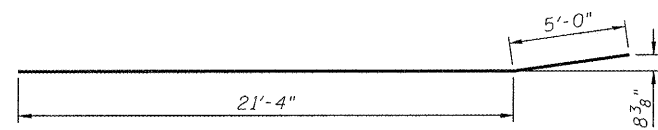
SEC. C-C



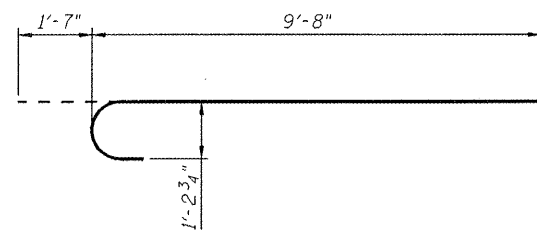
SEC. A-A



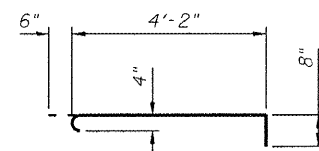
SEC. B-B



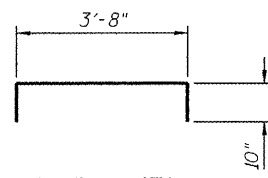
BAR p6(E)



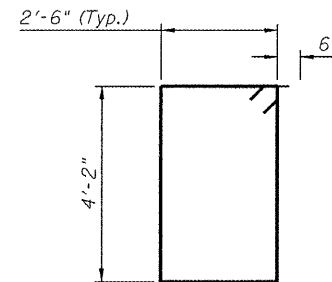
BAR n(E)



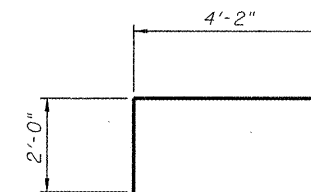
BAR s10(E)



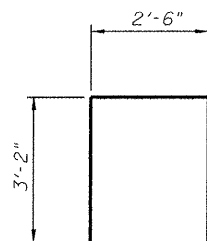
BAR s1(E)



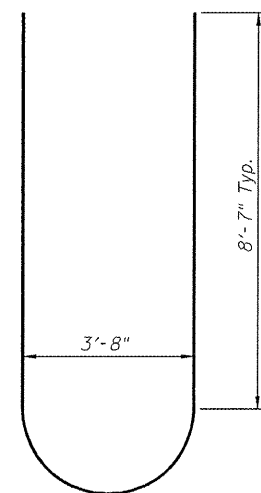
BAR s12(E)



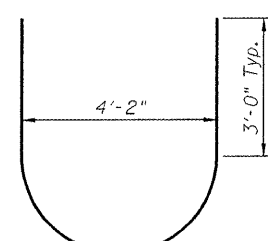
BAR s13(E)



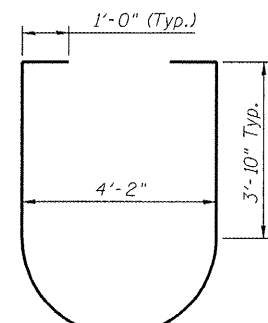
BAR s14(E)



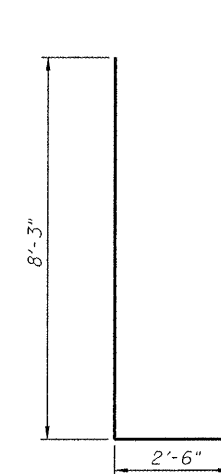
BAR u3(E)



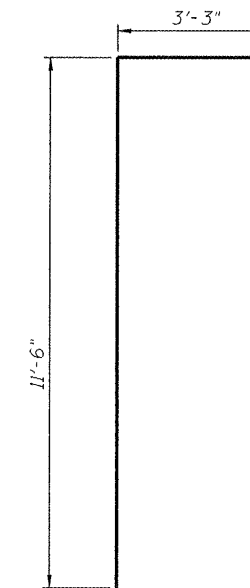
BAR u4(E)



BAR u5(E)



BAR v7(E)



BAR v1(E)

BILL OF MATERIAL

Bar	No.	Size	Length	Shape
h5(E)	12	#5	24'-7"	—
h6(E)	48	#6	18'-8"	—
h7(E)	8	#6	27'-6"	—
n(E)	92	#11	11'-3"	U
p5(E)	44	#9	27'-3"	—
p6(E)	16	#9	26'-4"	—
s10(E)	200	#4	5'-4"	U
s11(E)	51	#5	5'-4"	U
s12(E)	248	#6	14'-4"	U
s13(E)	58	#11	8'-2"	U
s14(E)	192	#5	8'-10"	U
sp1(E)	4	#5	16'-2"	W
t1(E)	43	#8	18'-8"	—
t2(E)	85	#10	18'-8"	—
u3(E)	8	#9	22'-11"	U
u4(E)	8	#6	12'-6"	U
u5(E)	24	#6	16'-2"	U
v7(E)	164	#11	10'-9"	U
v10(E)	164	#11	10'-6"	U
v11(E)	92	#11	14'-9"	U
w1(E)	88	#8	24'-3"	—
Structure Excavation	Cu. Yd.	177		
Concrete Structures	Cu. Yd.	267.1		
Reinforcement Bars, Epoxy Coated	Pound	66,040		
Furnishing Steel Piles, HP 12x53	Foot	2,223		
Driving Piles	Foot	2,223		
Test Pile Steel, HP 12x53	Each	1		
Pile Shoes	Each	40		

** Length is height of spiral.
Bars indicated thus 1 x 5-#5 etc. indicates 1 line of bars with 5 lengths per line.

FILE NAME = 0820117-0118-76884-018-Pier-Details-WB.dgn



USER NAME = krom	DESIGNED - SAB	REVISED - 1/6/2012 RAB
PLOT SCALE = 8:0.0000 "/>		

**STATE OF ILLINOIS
DEPARTMENT OF TRANSPORTATION**

**PIER DETAILS WESTBOUND
STRUCTURE NO. 082-0117 (E.B.) & 082-0118 (W.B.)**

F.A.P. RTE.	SECTION	COUNTY	TOTAL SHEETS	SHEET NO.
103	27-1-VMB-1	ST. CLAIR	277	163
			CONTRACT NO. 76884	
ILLINOIS FED. AID PROJECT				